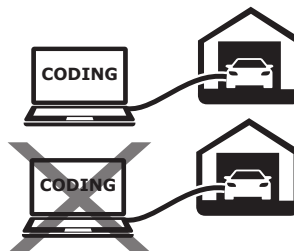




SEAT/CUPRA

Leon III Hatch (5F1)	11/2012 >> 08/2020
Leon SC (5F5)	06/2013 >> 08/2018
Leon III ST (5F8)	11/2013 >> 08/2018
X-perience	10/2014 >> 08/2020
Leon IV (KL1, KU1)	04/2020 >>
Leon IV ST (KL8, KU8)	04/2020 >>
Leon Hatch (5F)	11/2012 >>
Leon ST (5F8)	11/2012 >>
Leon IV Hatch (KL1, KU1)	04/2020 >>
Leon IV ST (KL8, KU8)	04/2020 >>



ECS Duplex-Kit

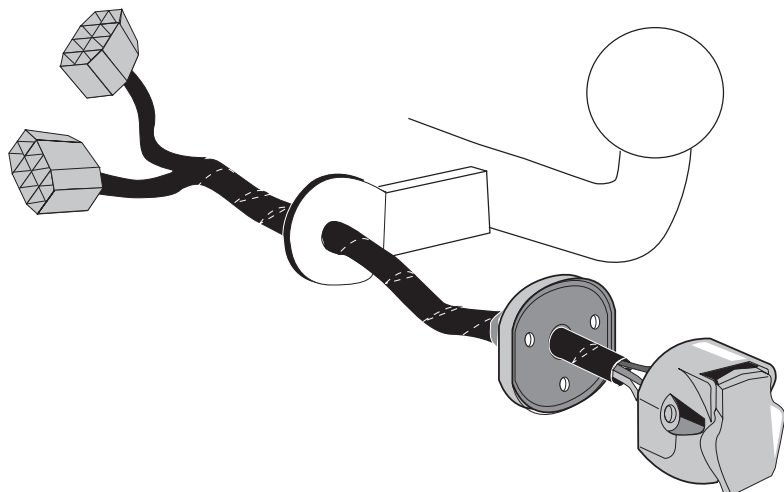
Tow bar wiring harness
13pin/ISO11446 including
two different operation-modes

Vehicles with and without trailer preparation!

Part No: VW-305-13MU

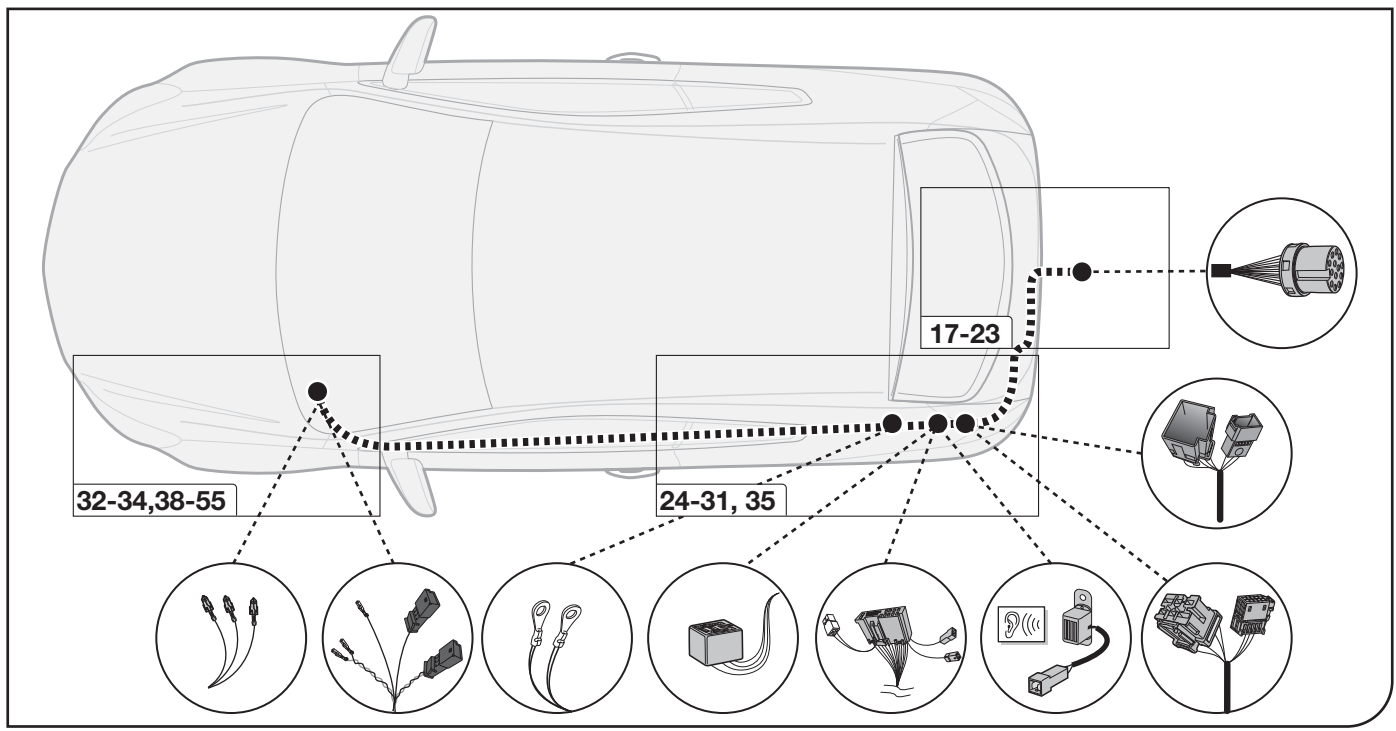
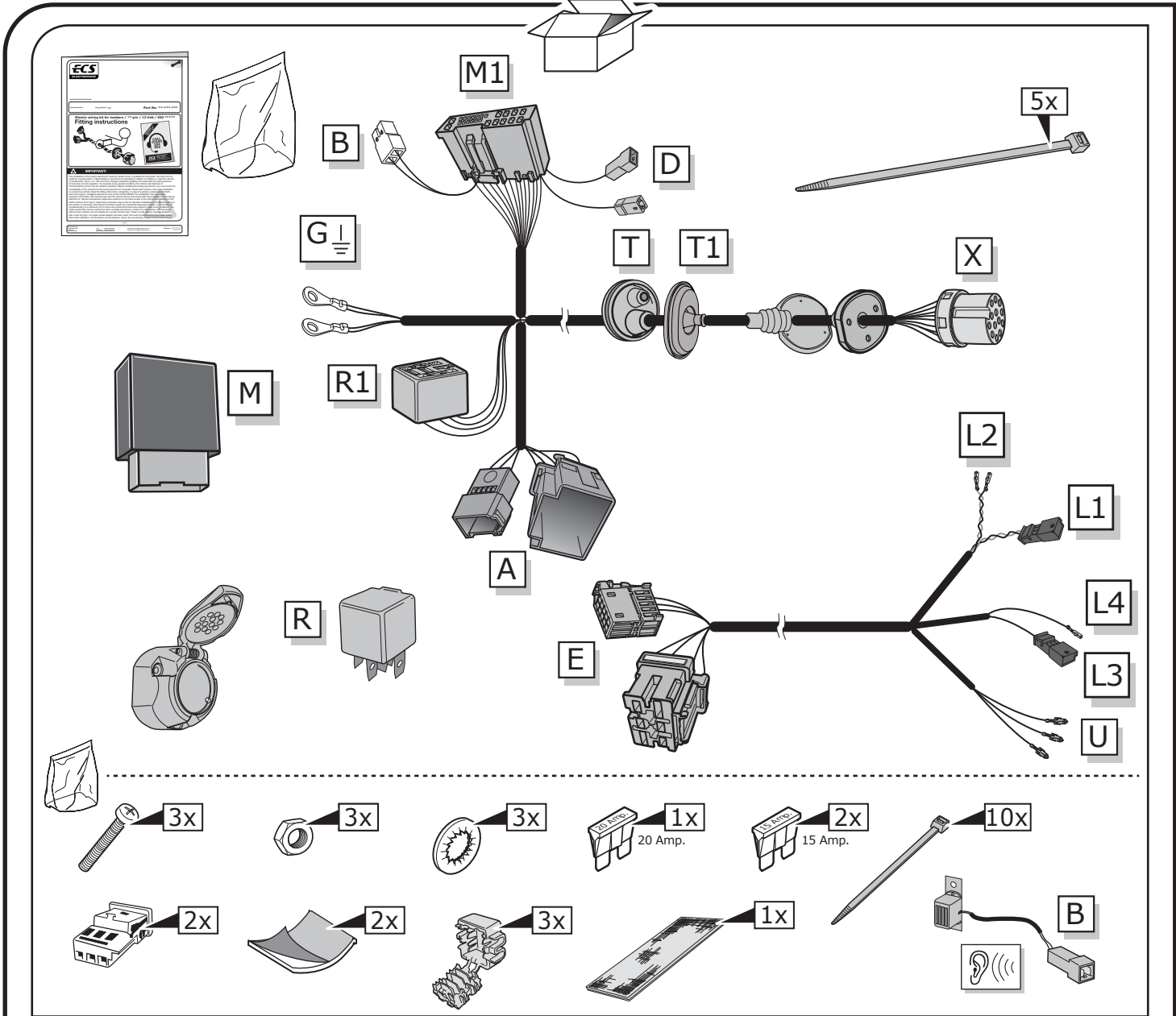
Electric wiring kit for towbars / 13-pin / 12 Volt / ISO 11446

Fitting instructions



IMPORTANT!

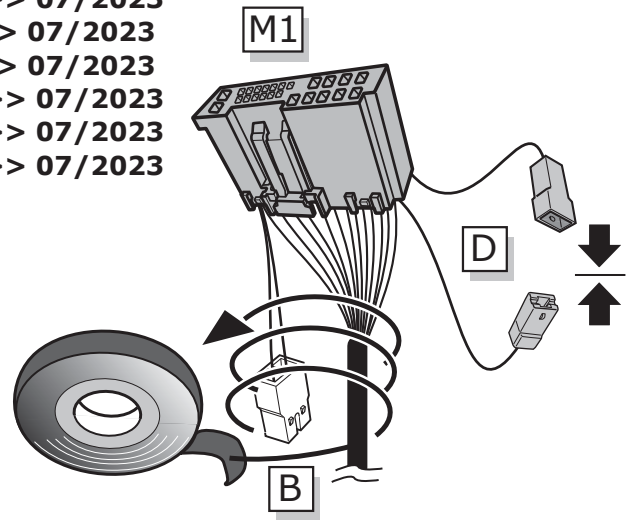
The installation of the towing electrics kit must be carried out by a qualified car technician. No claim can be made for compensation or legal liability in case the kit is improperly installed or modified, in case the vehicle is insufficiently coded, or in case technical changes (software-updates) are made after the towing electrics kit has been put into operation, for example during product recalls by the vehicle manufacturer or OTA maintaining (Over-The-Air software updates). Before installing the towing electrics kit, you must verify the compatibility of the vehicle and the towing electrics kit. Evaluate vehicle fault memory. Only start installation on a fault-free vehicle. Read the fitting instructions completely. In case of questions, please contact ECS technical support: uks@ecs-electronics.com and/or 07440 202052. The installation manual contains important information and must be kept with the vehicle service documents after the installation of the towing electrics kit. Vehicle manufacturer diagnostic systems do not have access to the internal fault memory of the trailer module. Error logs in diagnostic processes may be due to improper installation or insufficient coding of the vehicle. If necessary, disconnect the trailer module and repeat the diagnostic process. Limit the time for troubleshooting to a maximum of 0,5 hours and contact ECS technical support in case of any problems. The trailer socket test must be carried out with a suitable test device, a trailer or a load carrier. LED test plugs without load resistors are not suitable for a proper function test. Trailer or load carriers must be equipped with a rear fog light. If a trailer socket adaptor has been used, this must be removed from the trailer socket after trailer operation. All information and illustrations shown are non-binding. Subject to technical changes.



Duplex-Mode 1 - With Coding (read/write)

INFO

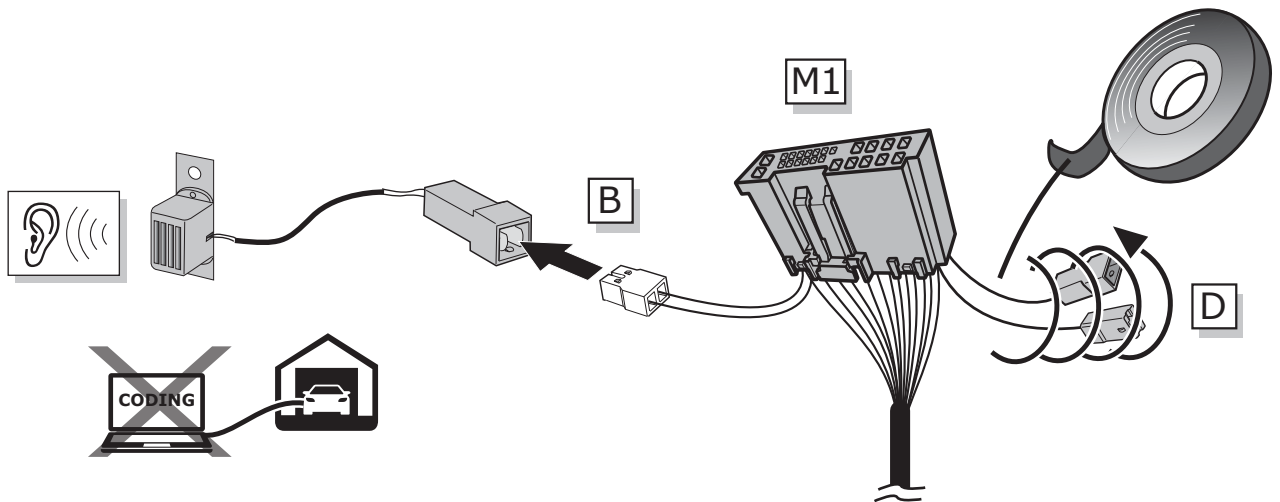
Seat Leon III Hatch (5F1)	11/2012 >> 08/2020
Seat Leon SC (5F5)	06/2013 >> 08/2018
Seat Leon III ST (5F8)	11/2013 >> 08/2018
Seat X-perience	10/2014 >> 08/2020
Seat Leon IV (KL1, KU1)	04/2020 >> 07/2023
Seat Leon IV ST (KL8, KU8)	04/2020 >> 07/2023
Cupra Leon Hatch (5F)	11/2012 >> 07/2023
Cupra Leon ST (5F8)	11/2012 >> 07/2023
Cupra Leon IV Hatch (KL1, KU1)	04/2020 >> 07/2023
Cupra Leon IV ST (KL8, KU8)	04/2020 >> 07/2023



Duplex-Mode 2 - Without Coding (read-only)

INFO

Seat Leon IV (KL1, KU1)	08/2023 >>
Seat Leon IV ST (KL8, KU8)	08/2023 >>
Cupra Leon IV Hatch (KL1, KU1)	08/2023 >>
Cupra Leon IV ST (KL8, KU8)	08/2023 >>



Vehicles with the equipment codes NI1, NI7, NI8, and NI9 currently cannot be coded for trailer operation. The so-called PR codes NI1, NI7, NI8, and NI9 represent an extended protection device from Volkswagen AG (SFD2), which will be implemented starting August 2023 and now affects all models. For vehicles with the aforementioned PR codes, the ECS Duplex installation kit must be installed in read-only mode as described above.

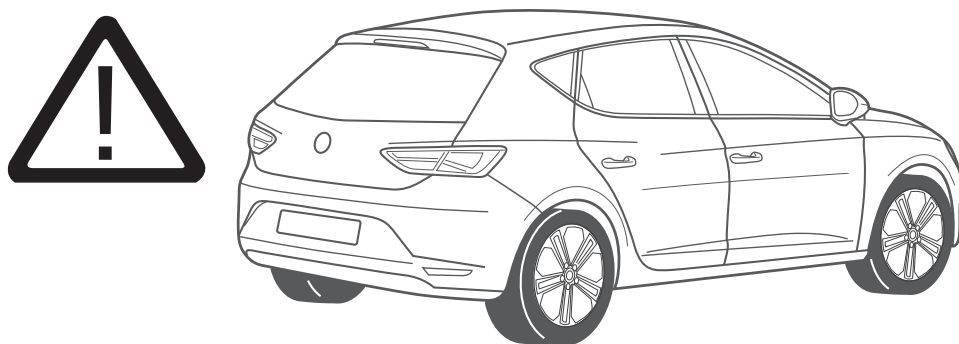
Duplex-Mode 2 - Without Coding (read-only)



Please note:

This wiring kit does not support any vehicle assistance systems in Duplex 2 mode (read-only). Assistance systems may need to be deactivated manually when towing a trailer or load carrier. The rear fog light of the vehicle is not deactivated when towing a trailer. After the towing electrics kit has been put into initial operation, manual deactivation of assistance systems may, in exceptional cases, be subsequently restricted by the vehicle manufacturer through software updates. Any warranty from ECS is expressly excluded in this case. Please contact the vehicle manufacturer.

Duplex-Mode 2 - Without Coding (read-only)



Please note:

The electric tailgate will continue to operate even when a load carrier/trailer/caravan is connected and must be operated manually to avoid damage. Automatic or remote-controlled parking assistance systems must not be used when towing a trailer.

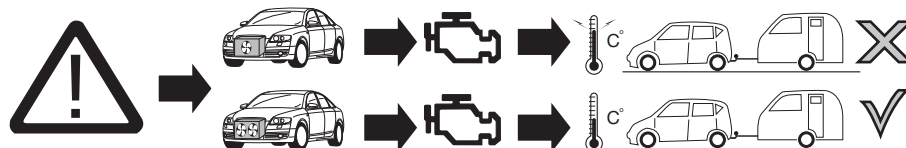
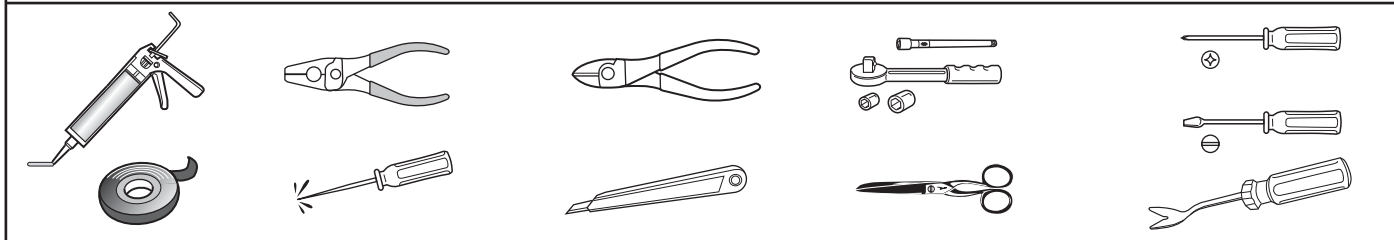
SYMBOL EXPLANATION

58L	Left taillight (58-L)
58R	Right taillight (58-R)
54	Stop light (54) / high mounted, third stop light (54)
	Turn signal indicator left
	Turn signal indicator right
	Rear fog light(s)
	Reversing lights(s)
+30	Permanent power supply / 13pin socket, chamber 9
+15	Charging wire for trailer battery/ 13pin socket, chamber 10
	Trailer / Trailer recognition
+30	Permanent current power supply
+15	Voltage after ignition

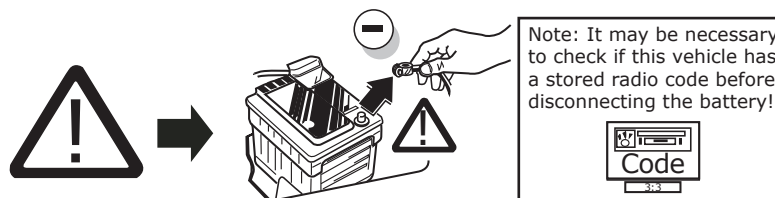
	Ground or Earth (31)
	Ground connection battery terminal lug
	Positive connection battery terminal lug
	Fuse / fuse capacity 20 Amp
	Loudspeaker / buzzer
	Park distance control
	Switch / source of function
	Connect together
	Disconnect
	PDC cut off
	Look carefully at selected area
	Present / Occupied / OK

	Not present / Not occupied / not OK
	Left
	Right
	Acoustic indication
	Attention / important advice
	Reusable
	Trash bin
	Use tape
OPTION	Option
INFO	Information
	Measure the voltage
NO NC COMMON	Normally open Normally close Common

TOOLS



ATTENTION! The vehicle's cooling capacity may have to be increased when retrofitting a trailer coupling! You must observe the manufacturer's instructions!!



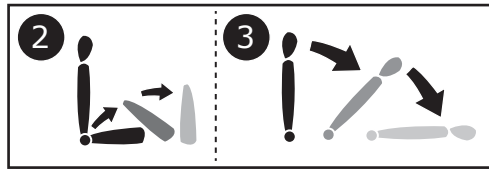
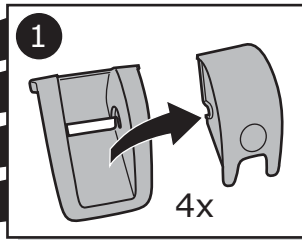
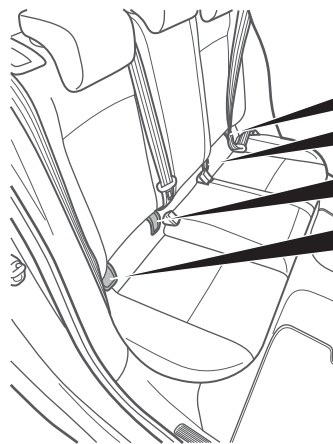
ATTENTION! In order to avoid mal-functions and damage to the vehicle's electrical system the earth terminal **must be disconnected** from the vehicle's battery **before starting work!**

Both the trailer module and the vehicle's control unit for the electrical system can be damaged during work on the data bus connections if the battery is not disconnected!

Please pay attention to the manufacturer's instructions when disconnecting and reconnecting the vehicle's battery!

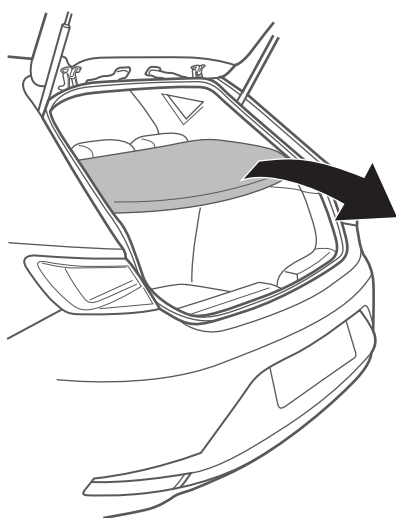
1

All models



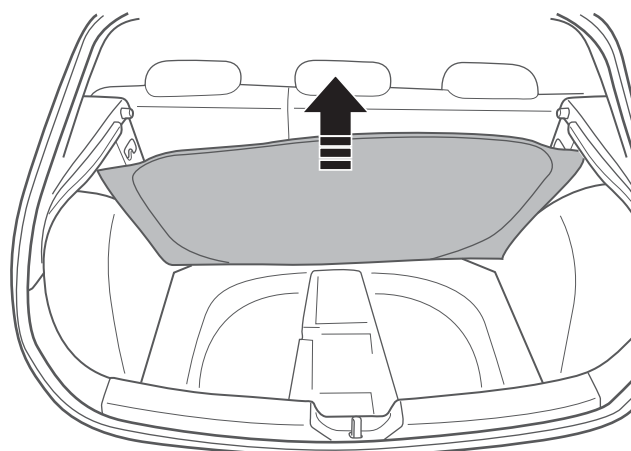
2

All models



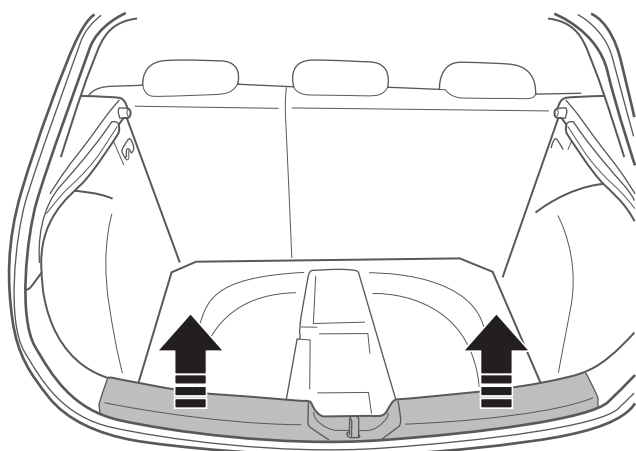
3

All models



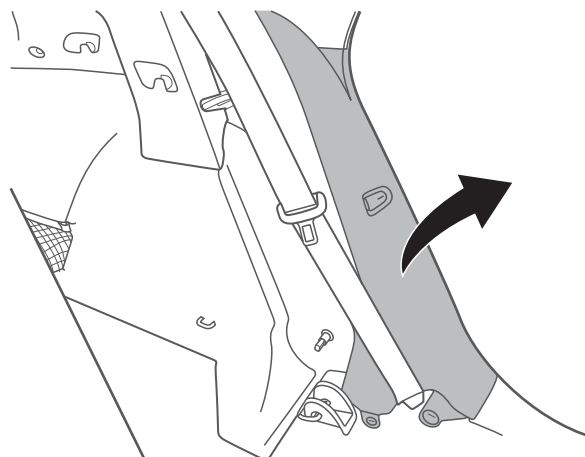
4

All models



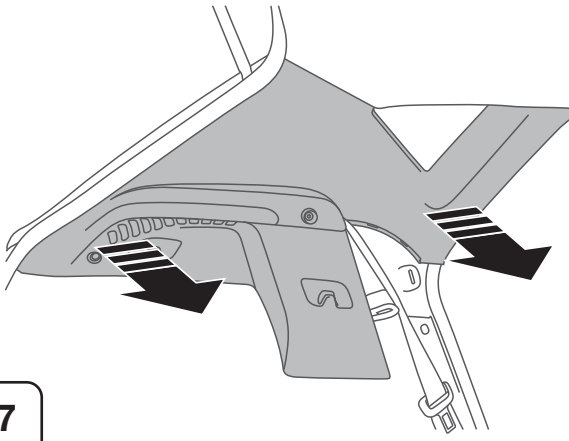
5

All models



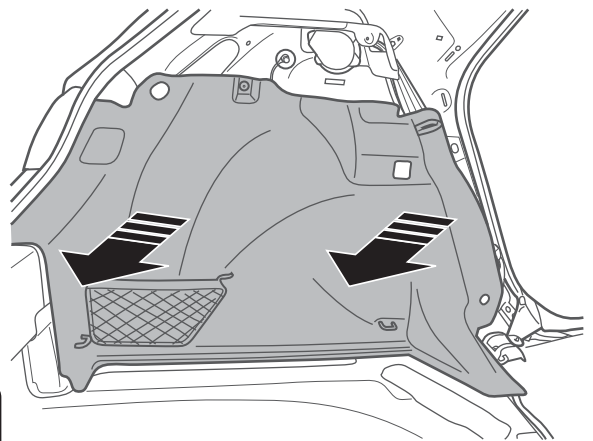
6

Leon Limo



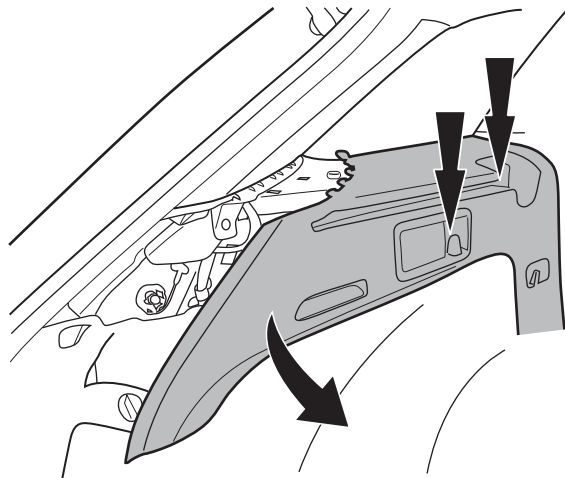
7

Leon Limo



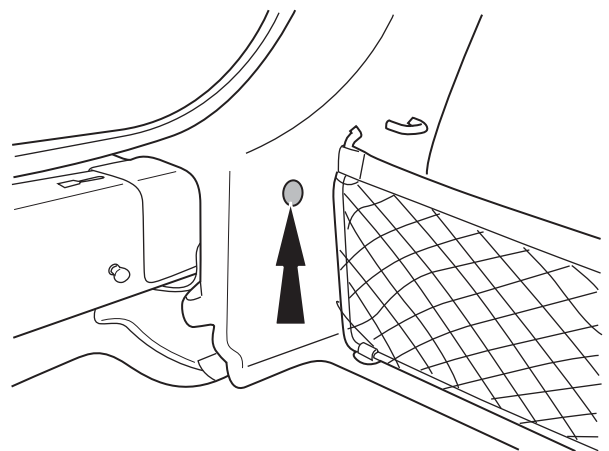
8

Leon Sportstourer



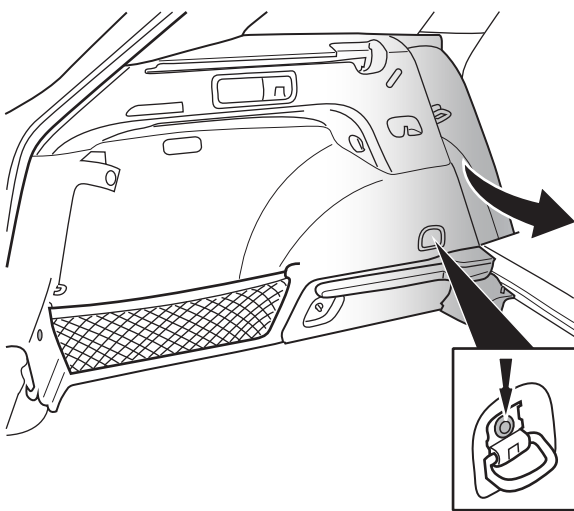
9

Leon Sportstourer



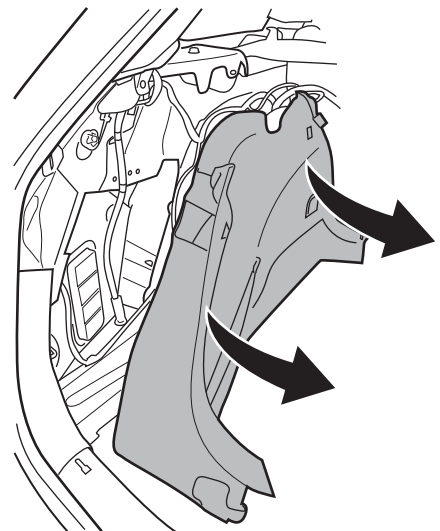
10

Leon Sportstourer



11

Leon Sportstourer

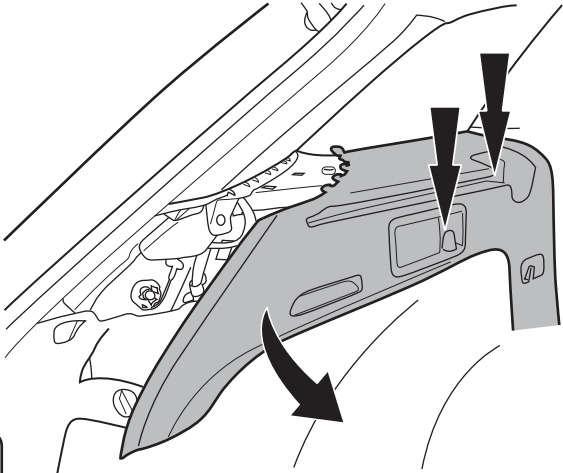


12

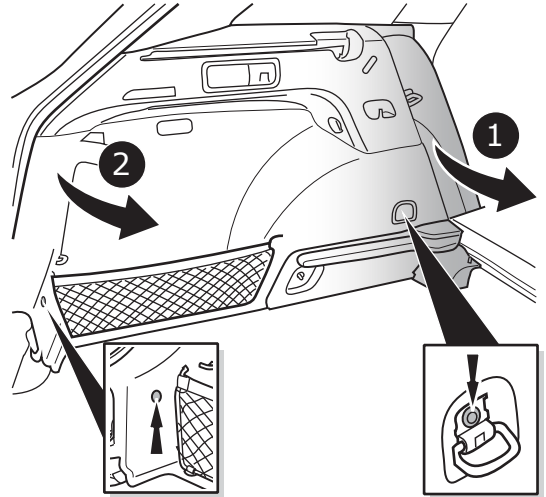
Léon ST / X-perience

Léon ST / X-perience

13

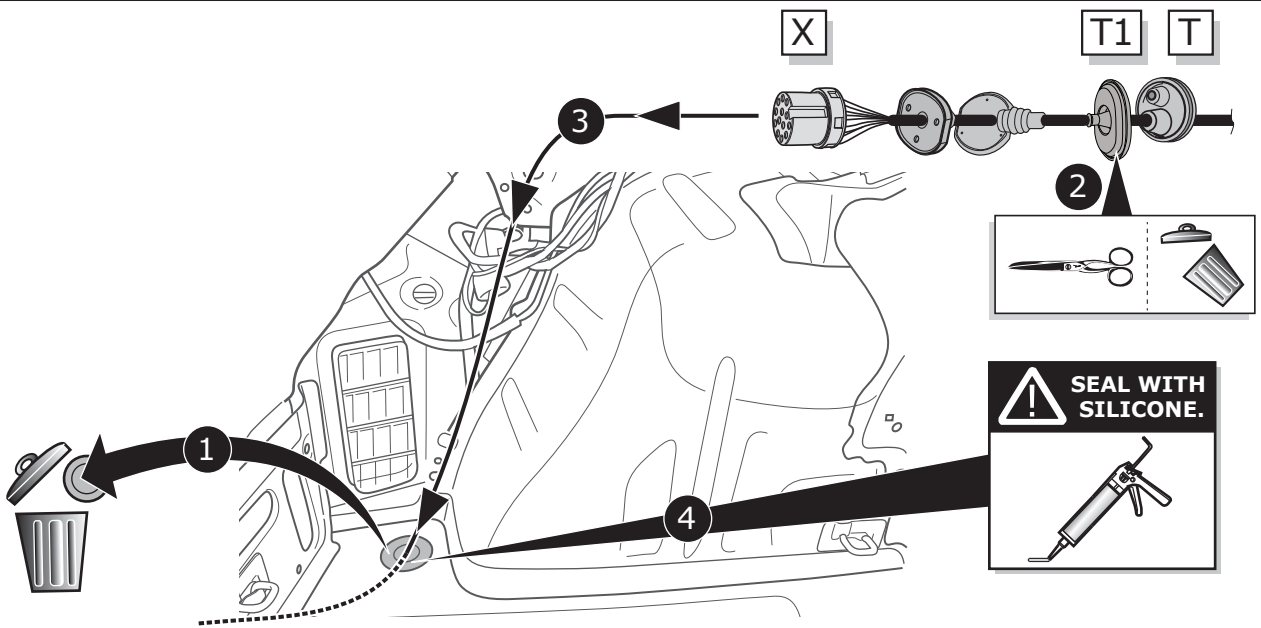


14



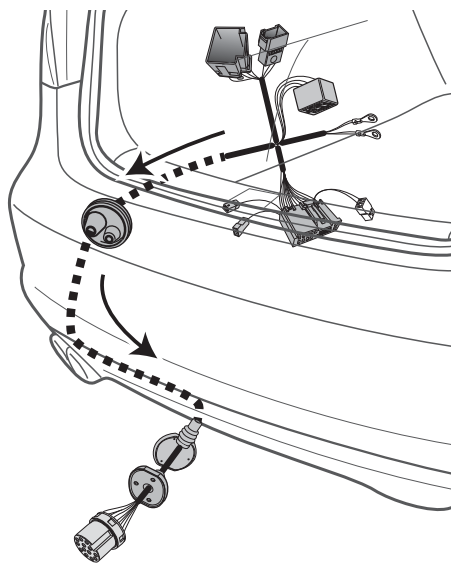
All models

15

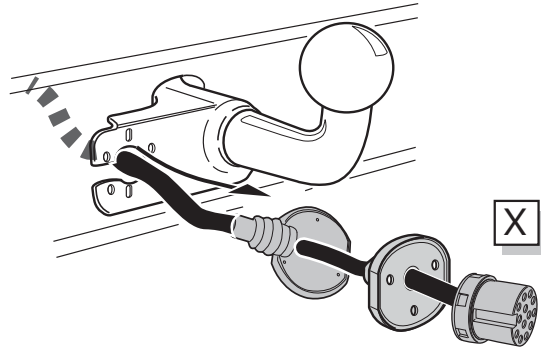


All models

16



All models



17

All models

SOCKET CONNECTION

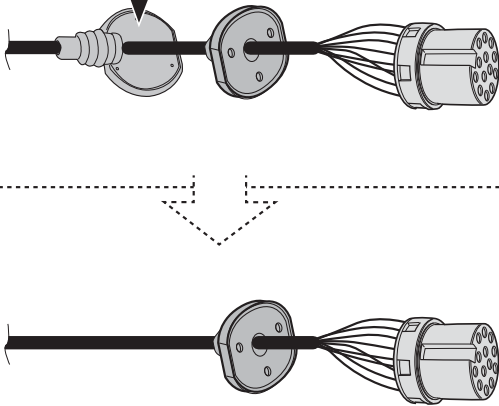
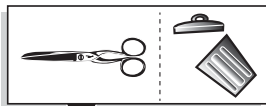


Page 30

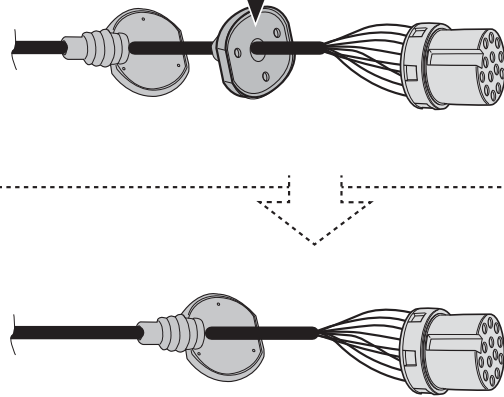
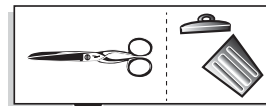
18

All models

Option 1

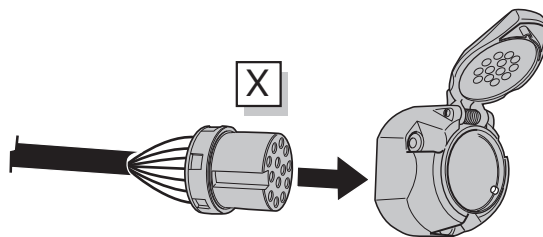


Option 2



19

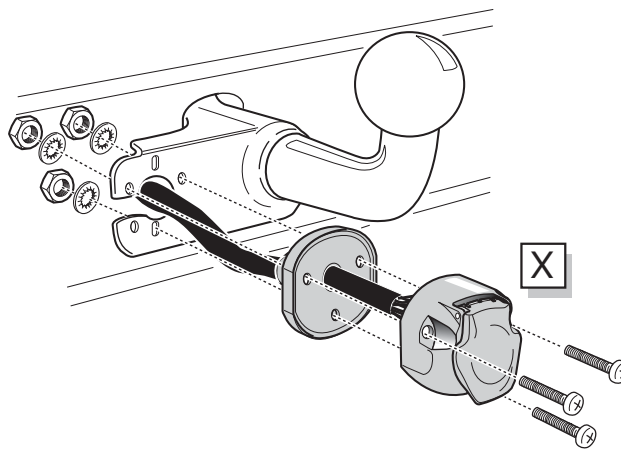
All models



20

All models

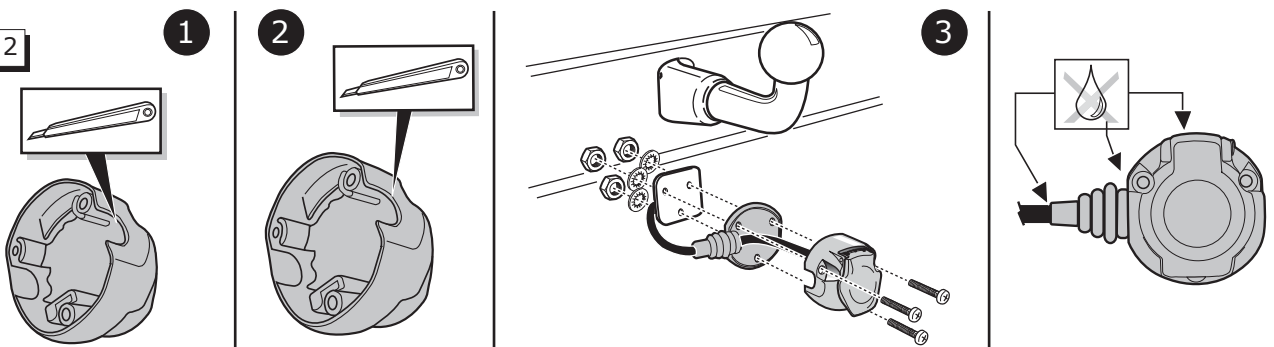
Option 1



21

All models

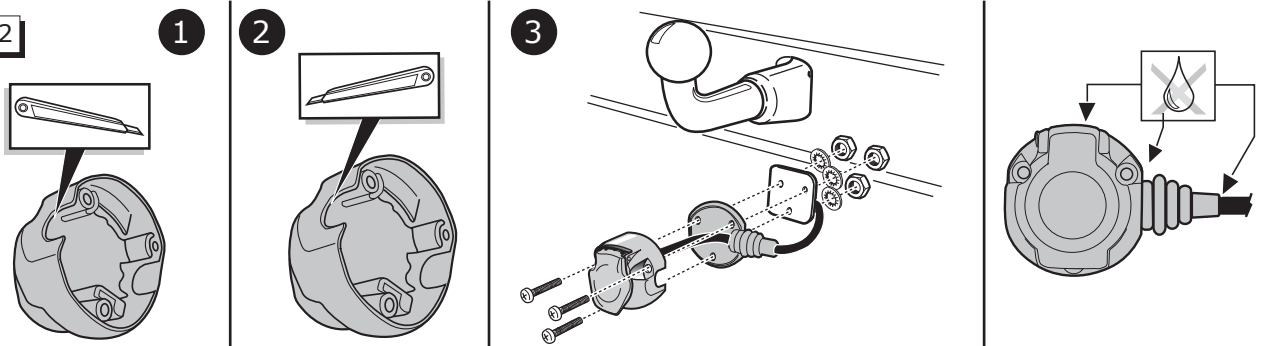
Option 2



22

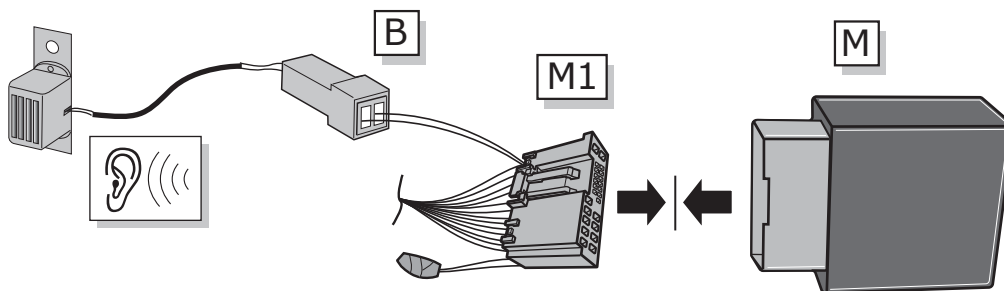
All models

Option 2



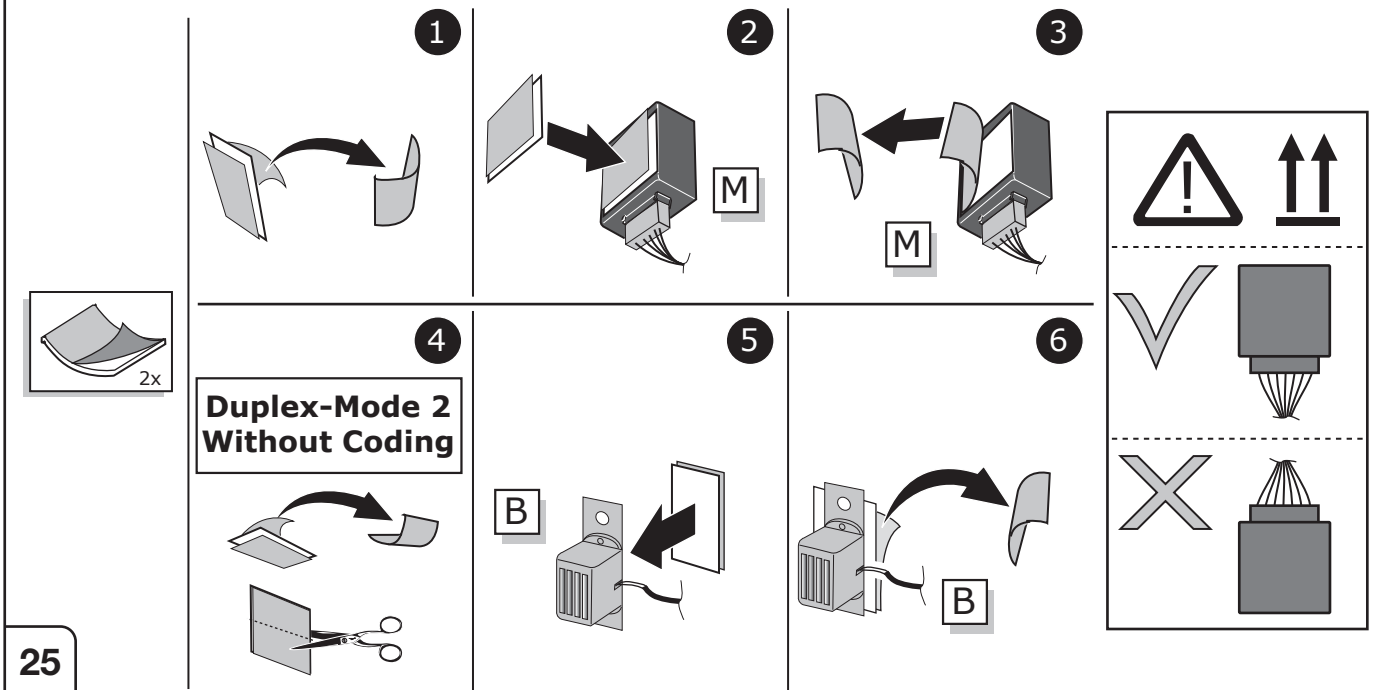
23

Duplex-Mode 2 - Without Coding (read-only)



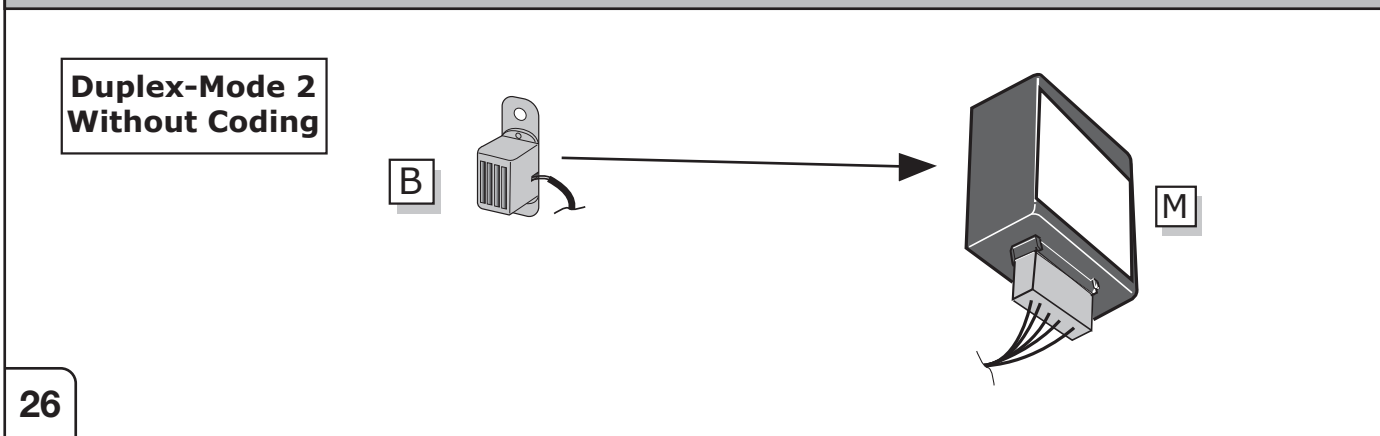
24

All models



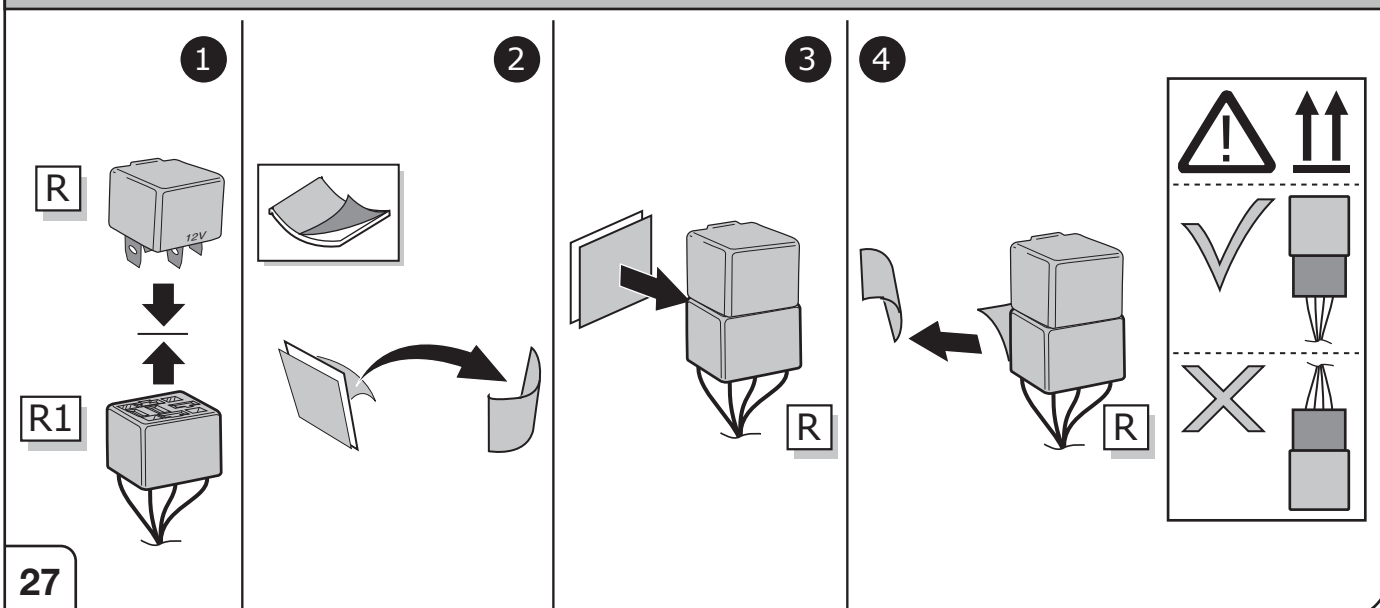
25

All models



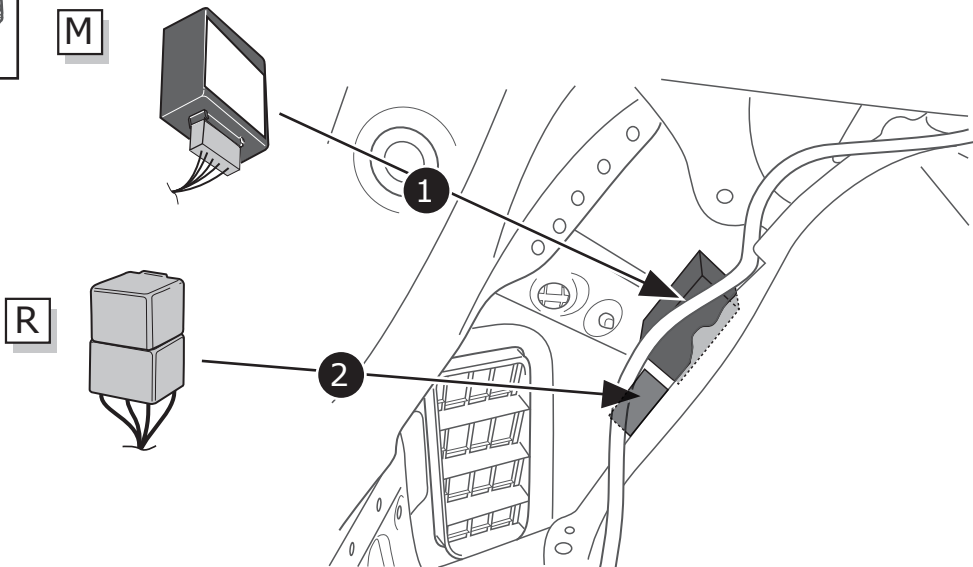
26

All models



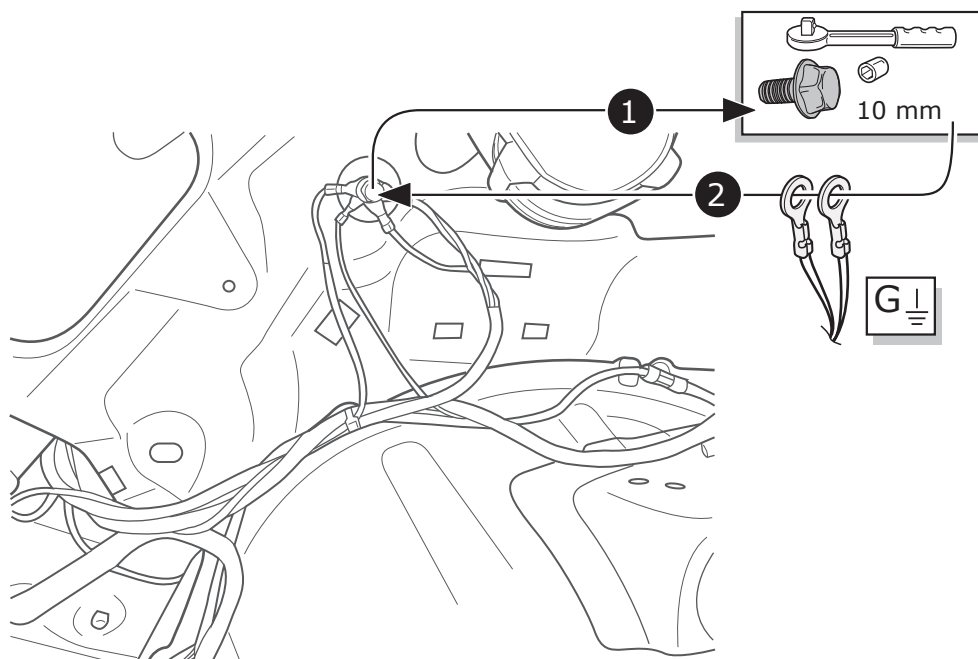
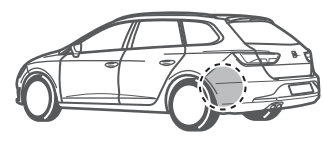
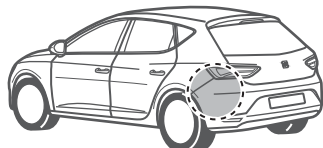
27

All models

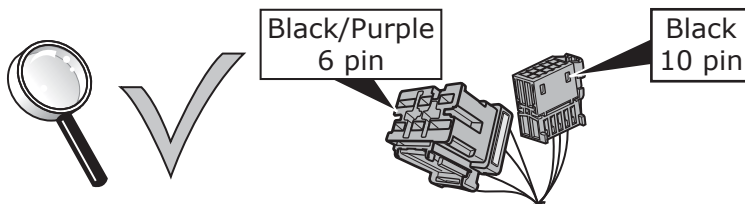


28

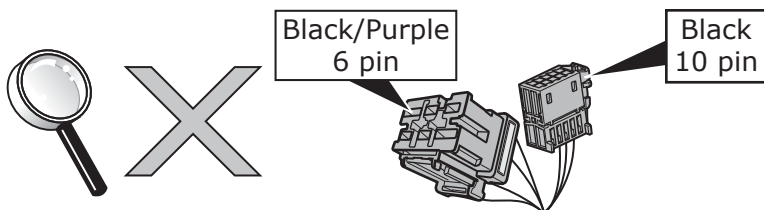
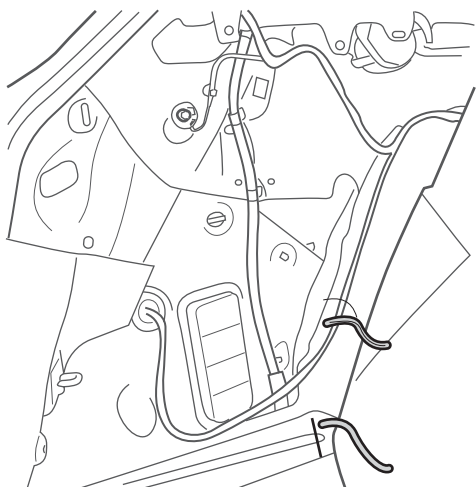
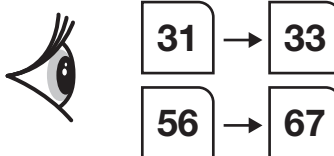
All models



29



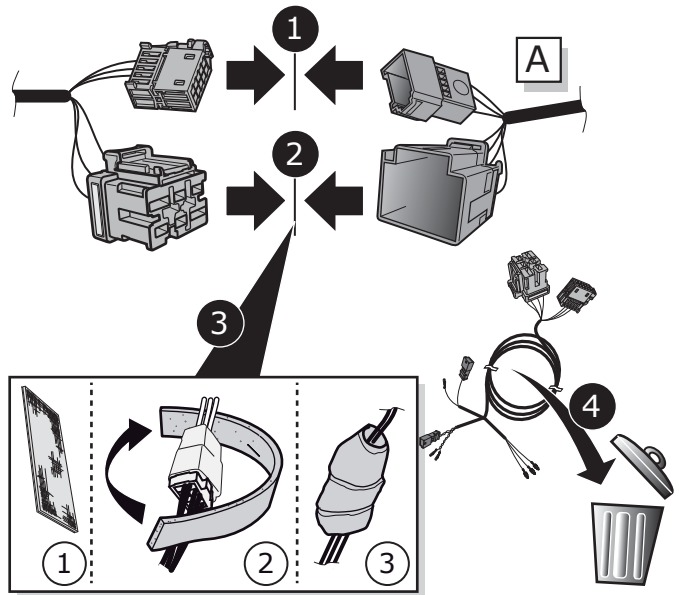
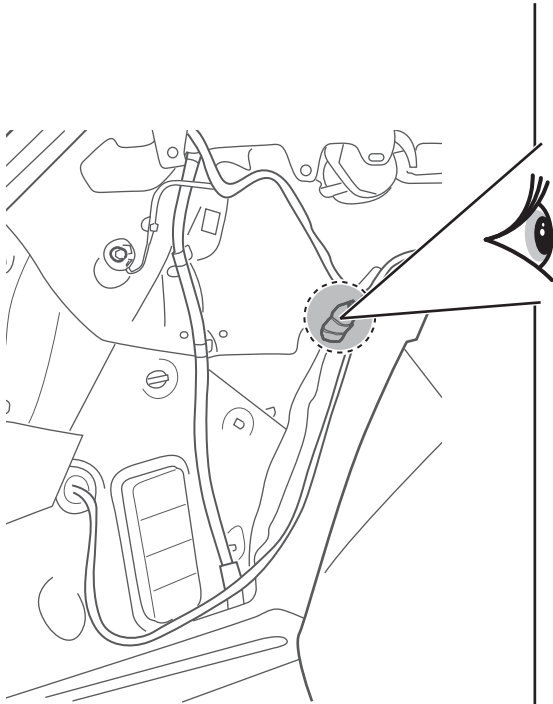
Vehicles **with** trailer preparation



Vehicles **without** trailer preparation

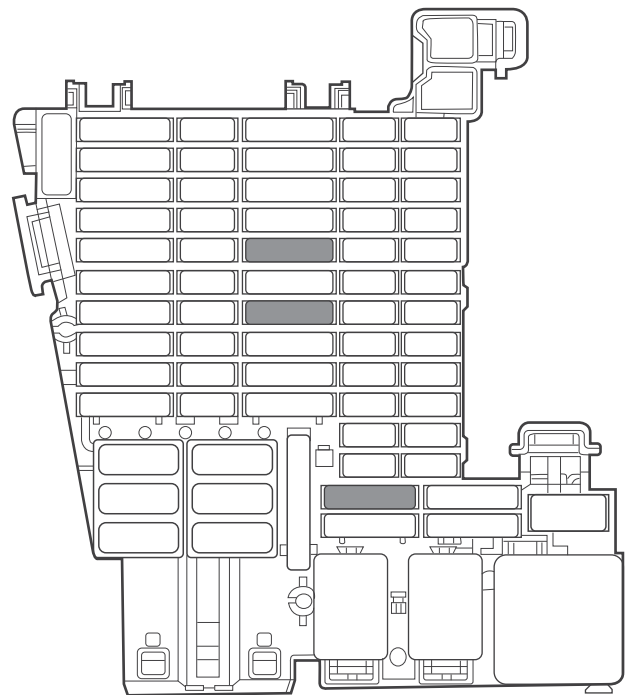
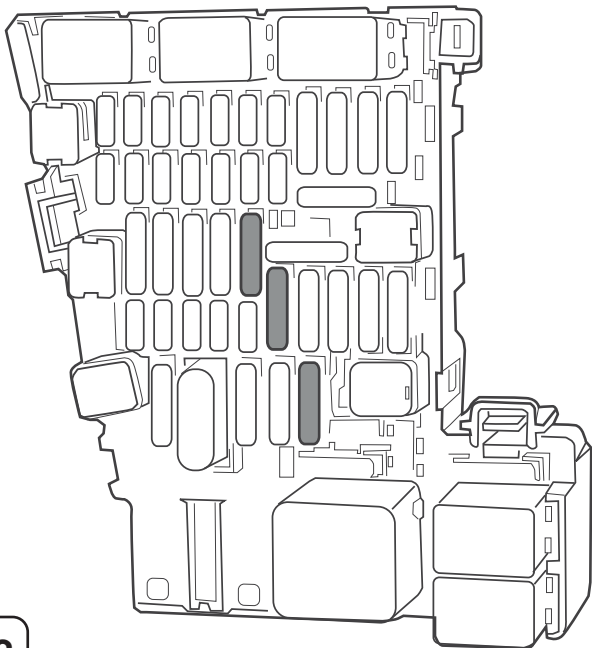
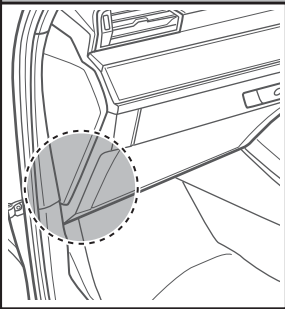


Vehicles **with** trailer preparation



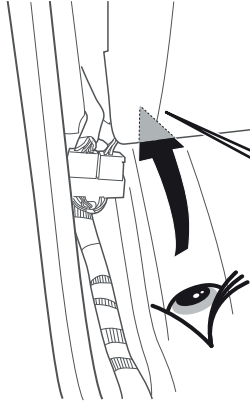
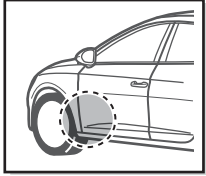
31

Vehicles **with** trailer preparation

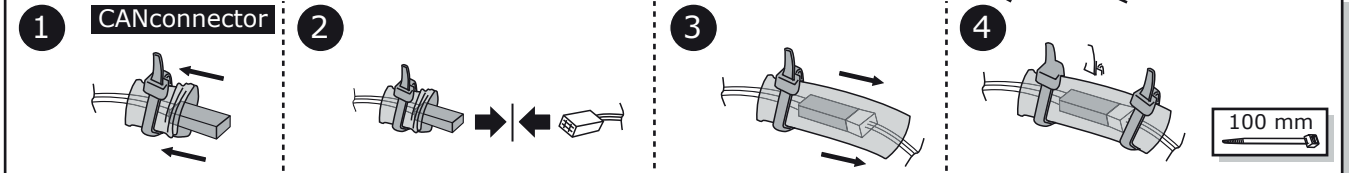


32

Vehicles **with** trailer preparation

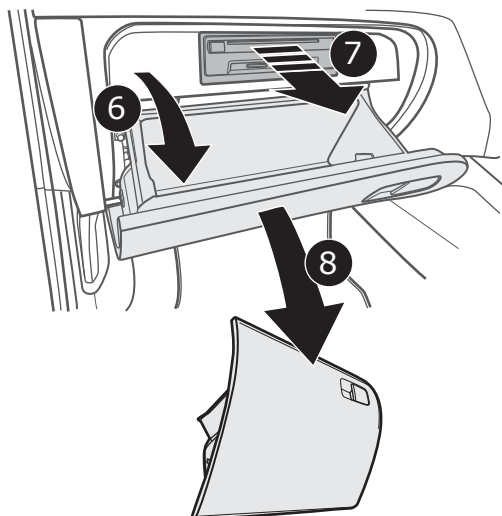
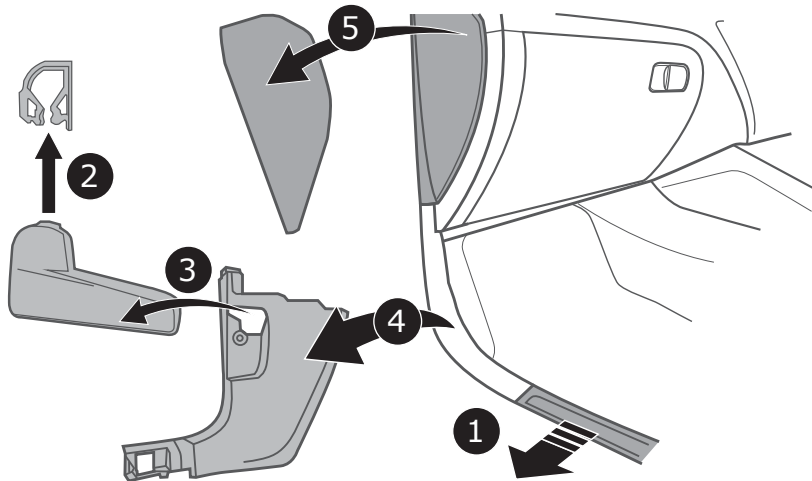


Only necessary if there is no function on trailer



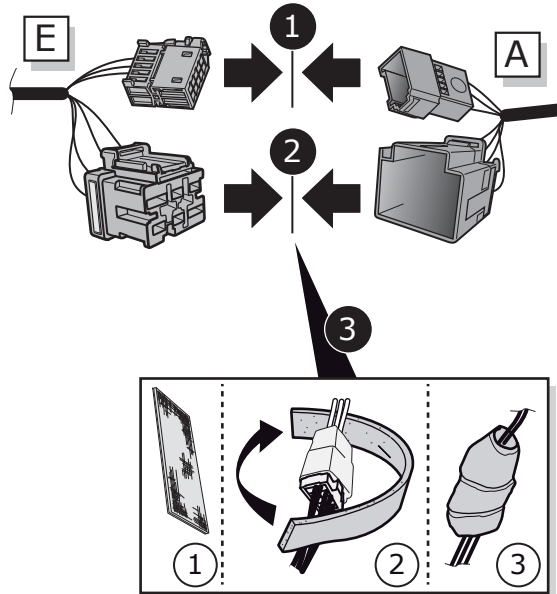
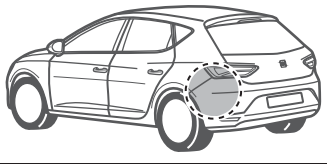
33

Vehicles **without** trailer preparation



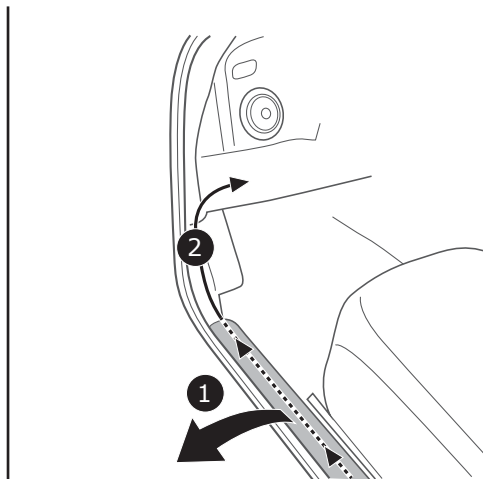
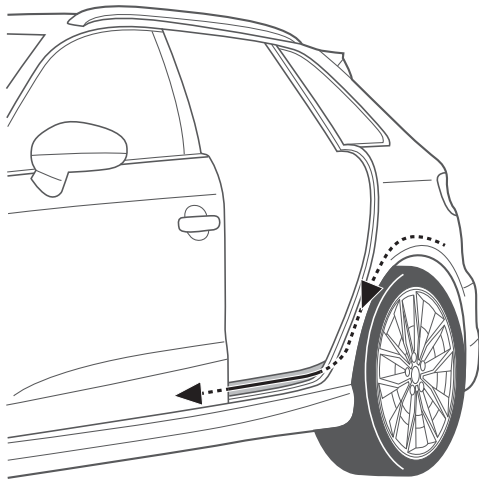
34

Vehicles **without** trailer preparation



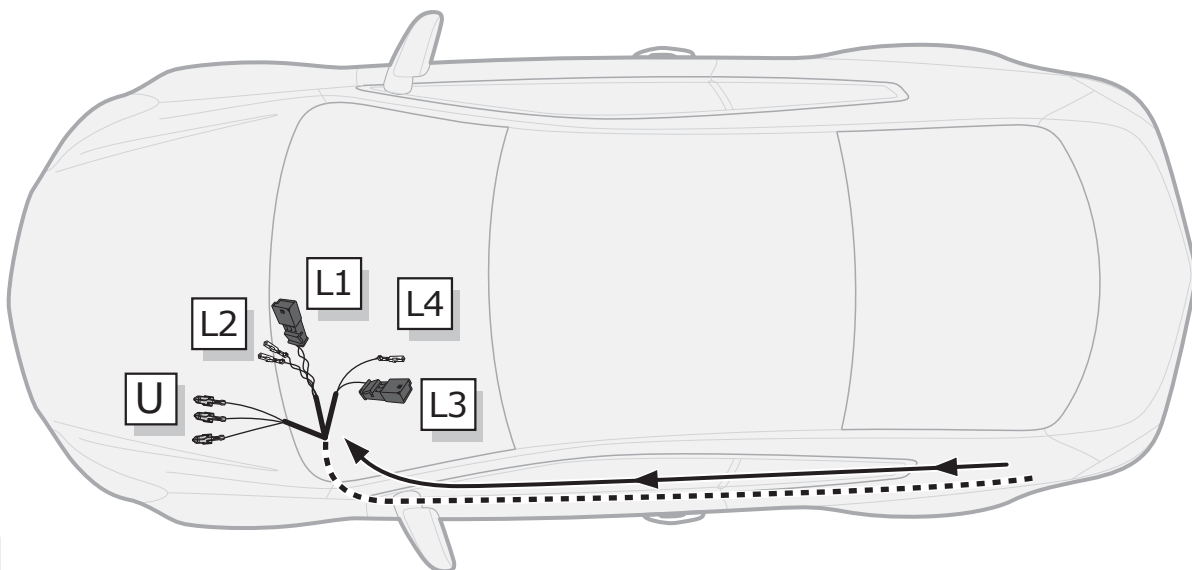
35

Vehicles **without** trailer preparation



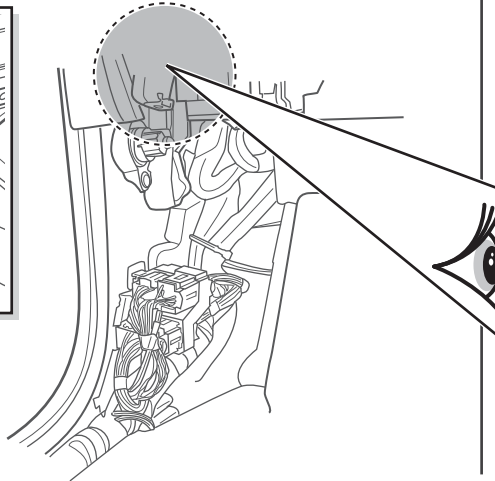
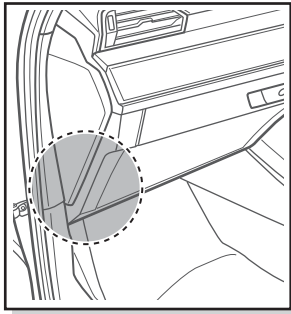
36

Vehicles **without** trailer preparation

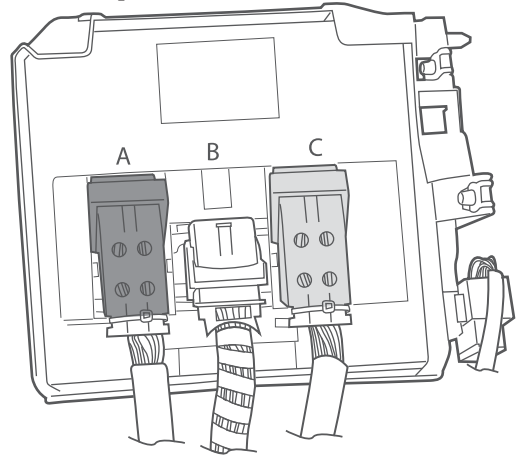


37

Vehicles **without** trailer preparation



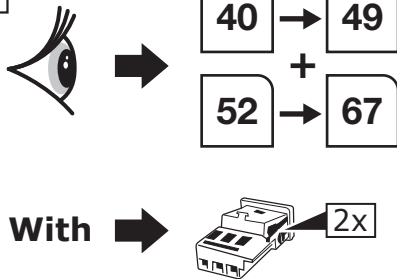
Body Control Module



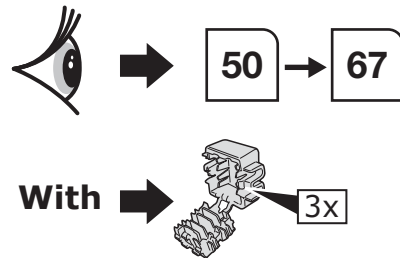
38

Vehicles **without** trailer preparation

CANbus
OPTION A



CANbus
OPTION B

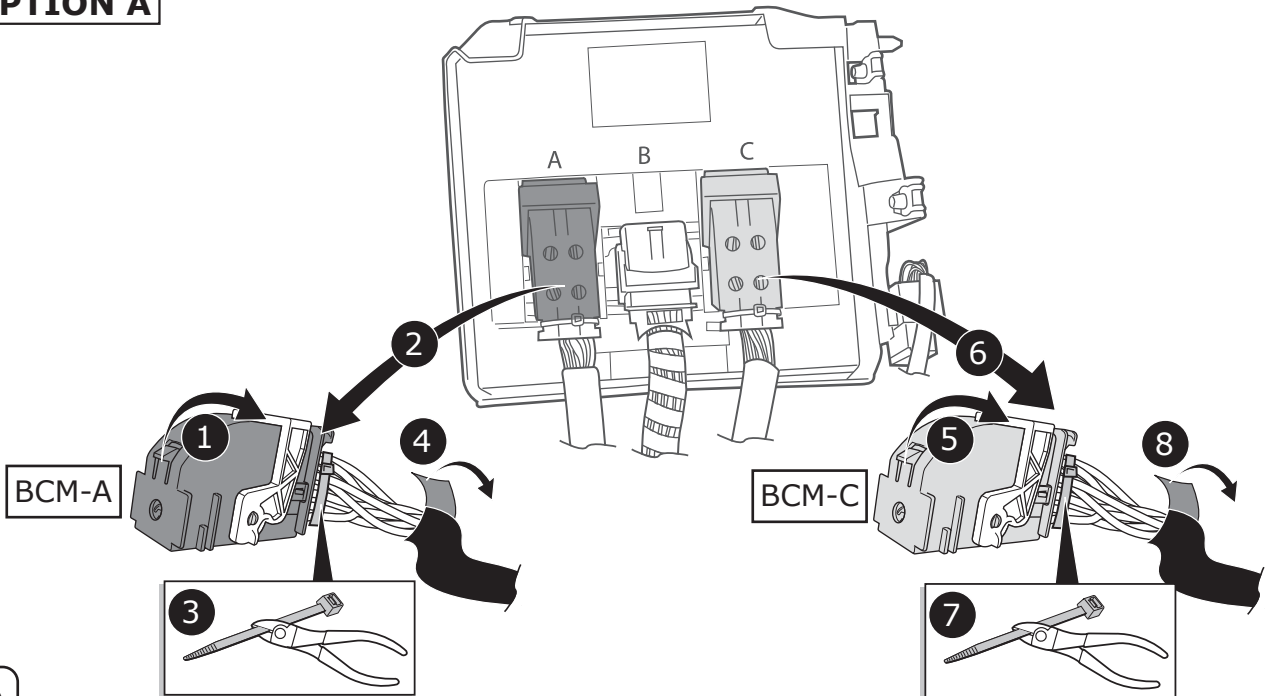


39

Vehicles **without** trailer preparation

CANbus
OPTION A

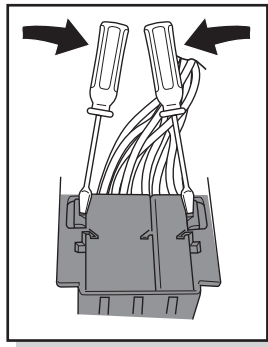
Body Control Module



40

Vehicles **without** trailer preparation

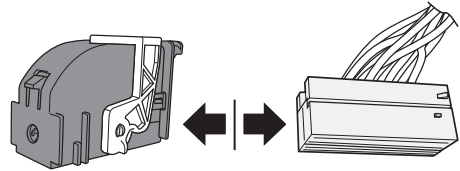
CANbus
OPTION A



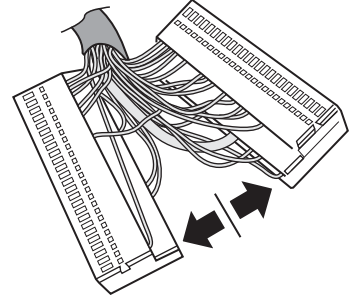
BCM-A

1

2



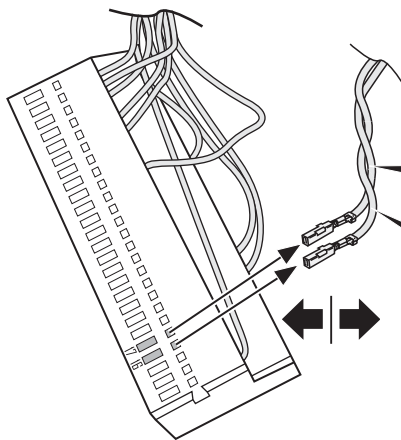
3



41

Vehicles **without** trailer preparation

CANbus
OPTION A



BCM-A

CAN L Orange/Brown
Pos. 17

CAN H Orange/Green
or Green
Pos. 16

Can-bus
Datawire

42

Vehicles **without** trailer preparation

CANbus
OPTION A

CAN L Orange/Brown
Pos. 1

CAN H Orange/Green
or Green
Pos. 2

LOCK

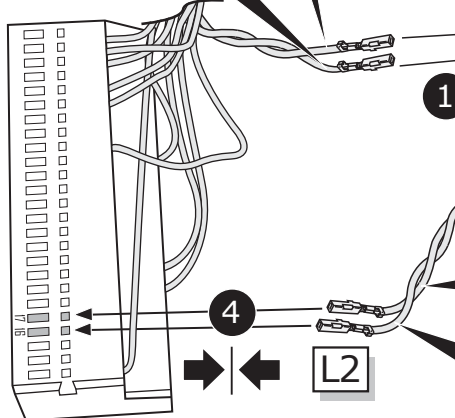
Orange/Brown
Pos. 1

2

3

L1

Orange/Green
Pos. 2



Orange/Brown
Pos. 17

Orange/Green
Pos. 16

Can-bus
Datawire

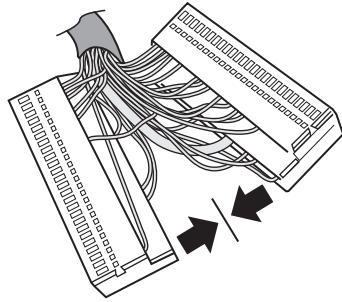
4

L2

43

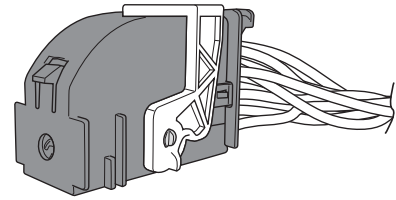
Vehicles **without** trailer preparation

CANbus
OPTION A



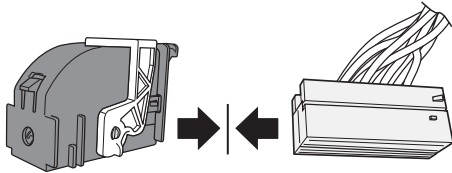
1

BCM-A



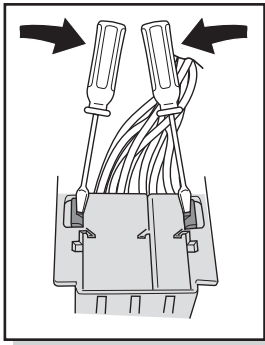
2

44



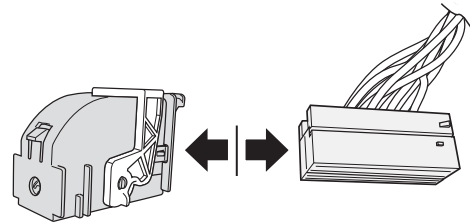
Vehicles **without** trailer preparation

CANbus
OPTION A

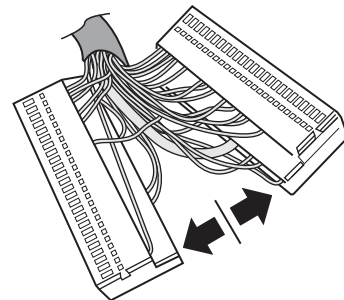


1

2



3



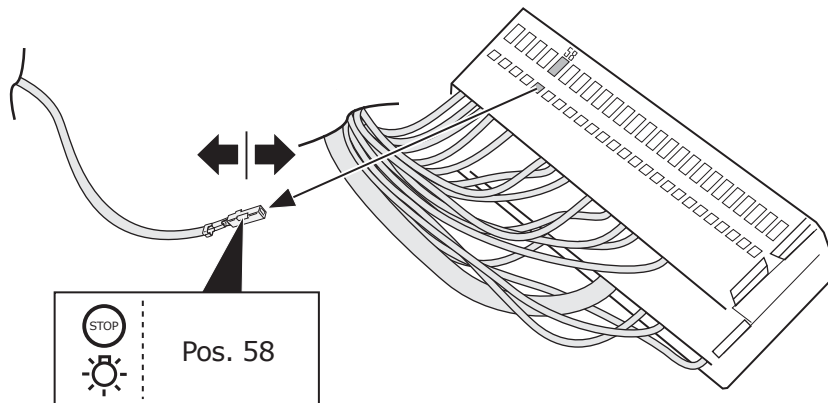
45

BCM-C

Vehicles **without** trailer preparation

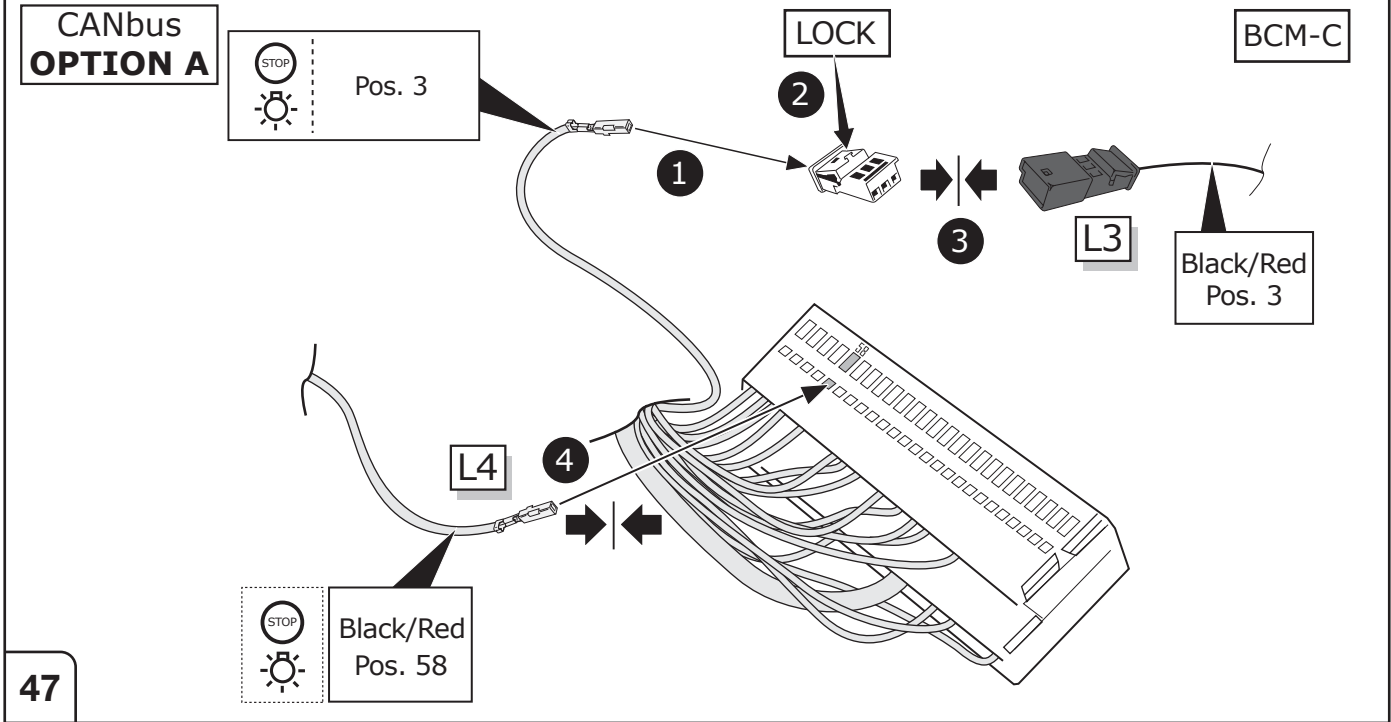
CANbus
OPTION A

BCM-C

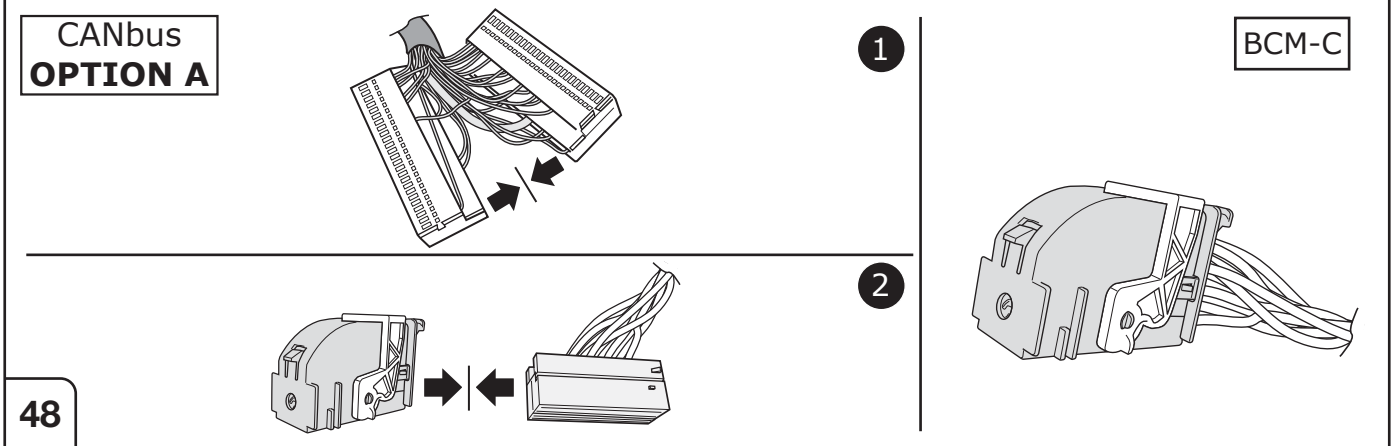


46

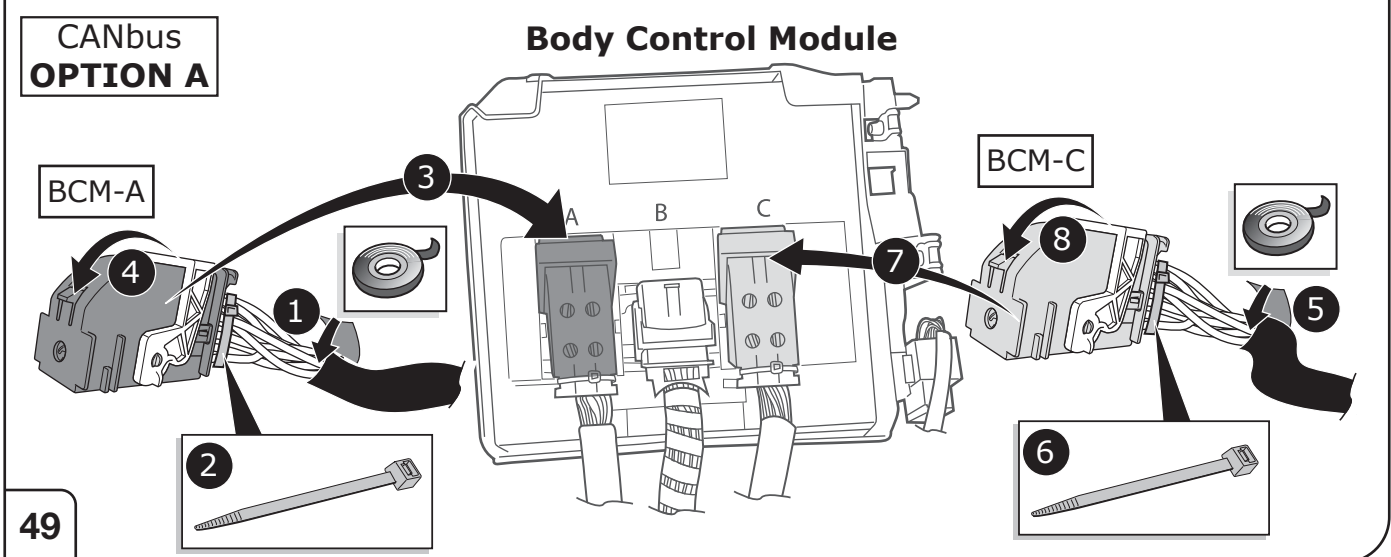
Vehicles **without** trailer preparation



Vehicles **without** trailer preparation

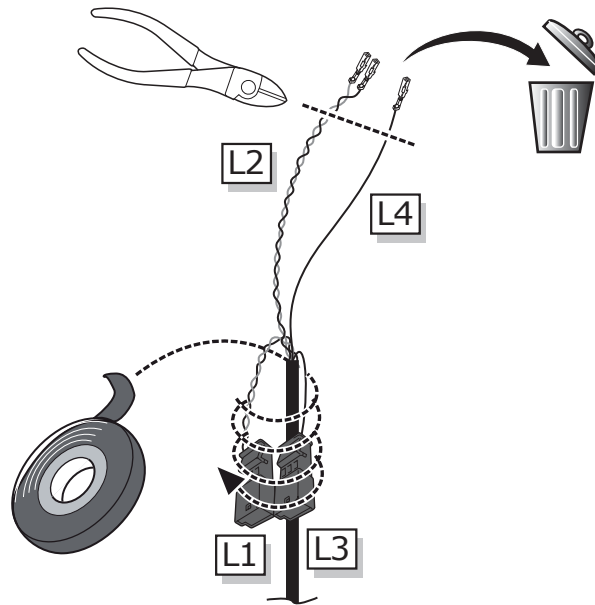


Vehicles **without** trailer preparation



Vehicles **without** trailer preparation

CANbus
OPTION B

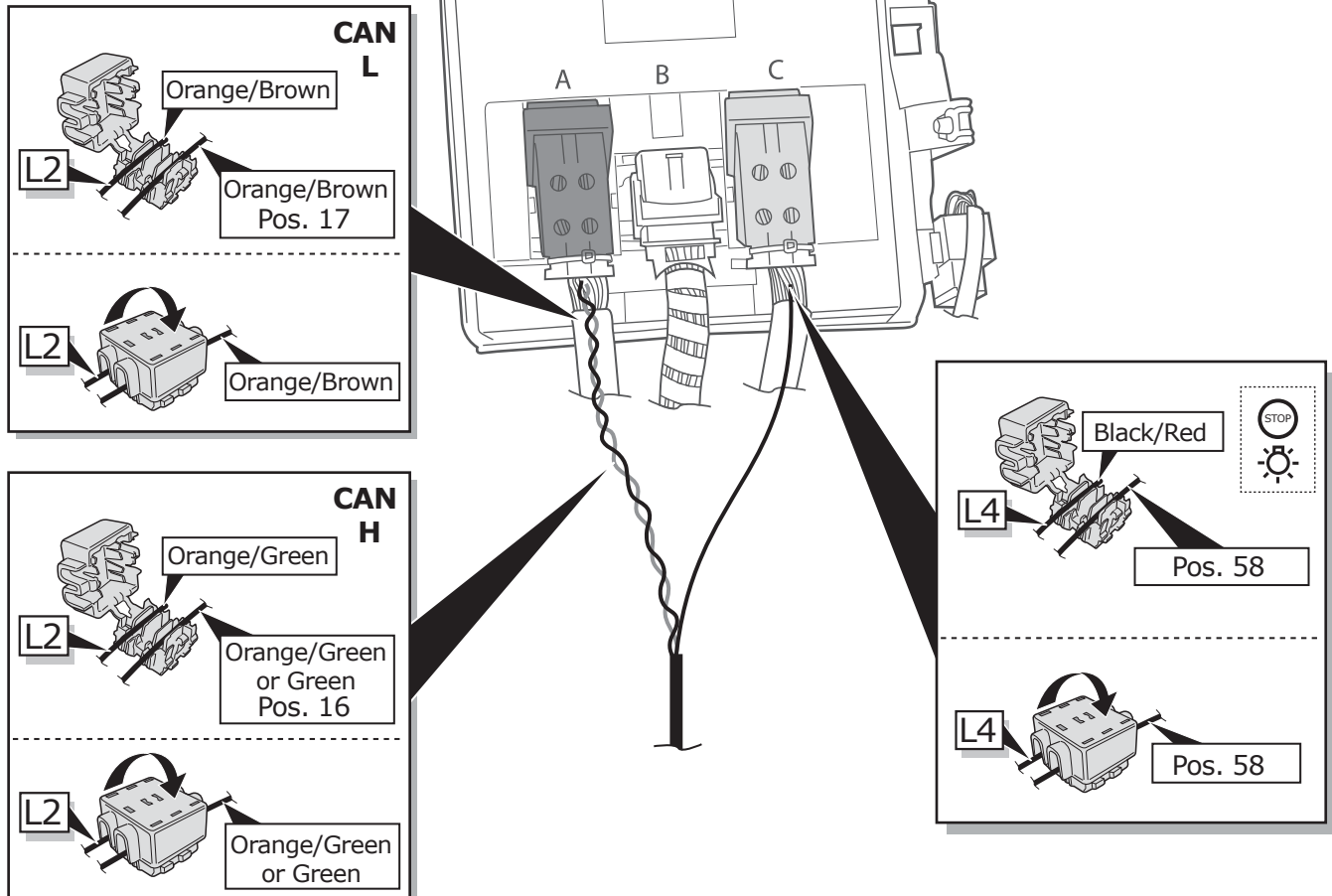


50

Vehicles **without** trailer preparation

CANbus
OPTION B

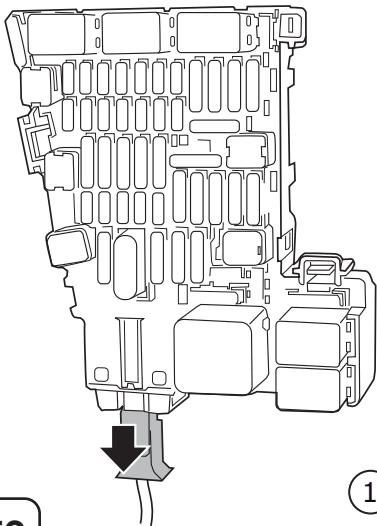
Body Control Module



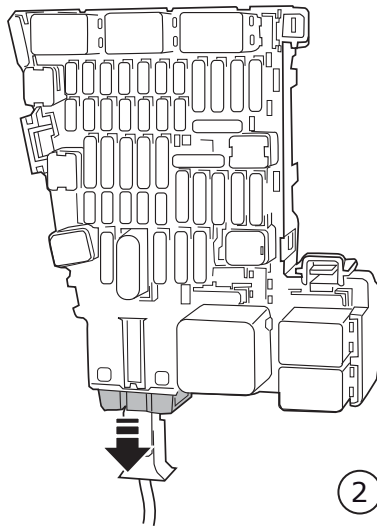
51

Vehicles **without** trailer preparation

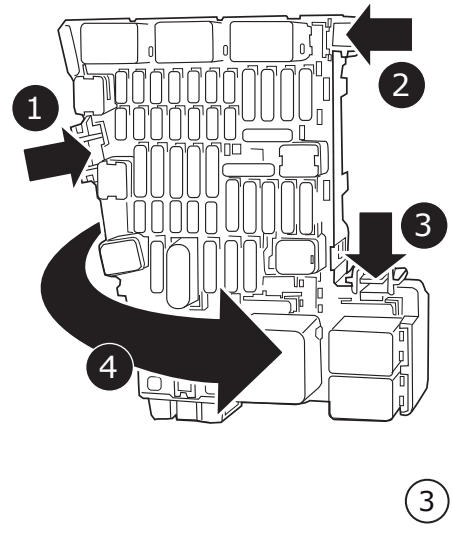
Fuse box option A



1



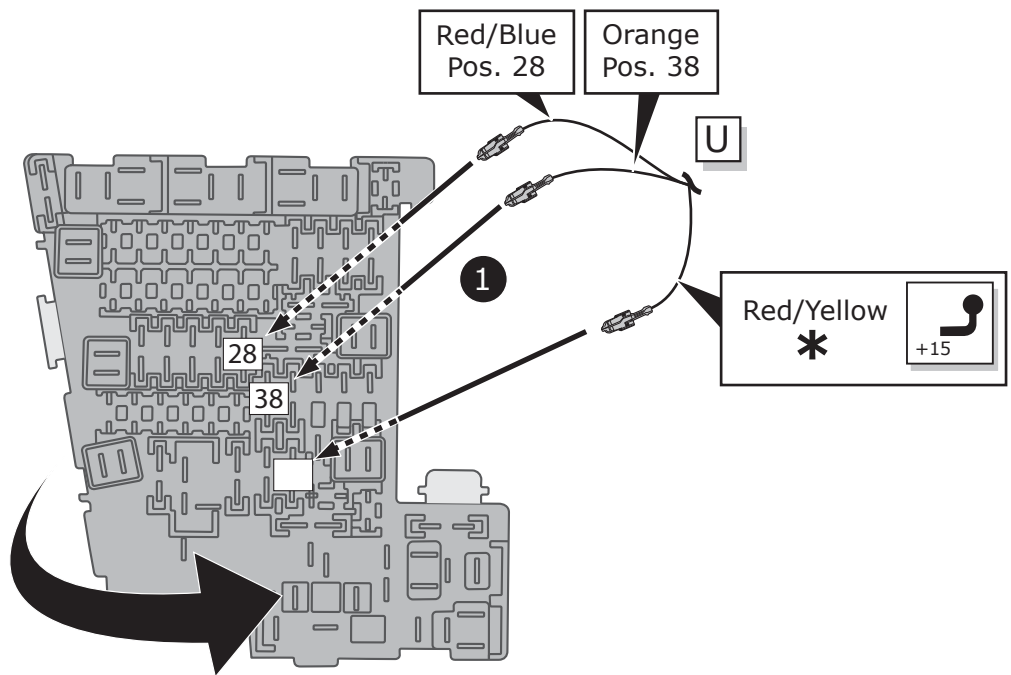
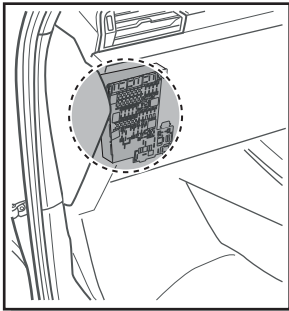
2



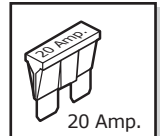
3

52

Vehicles **without** trailer preparation

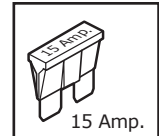
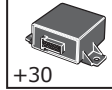


2



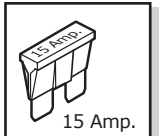
20 Amp.

Pos. 28



15 Amp.

Pos. 38



15 Amp.

*

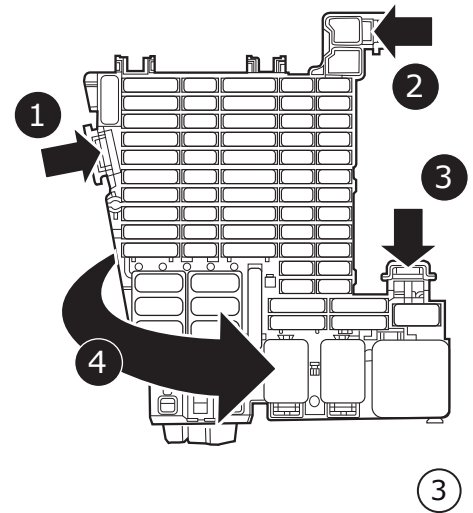
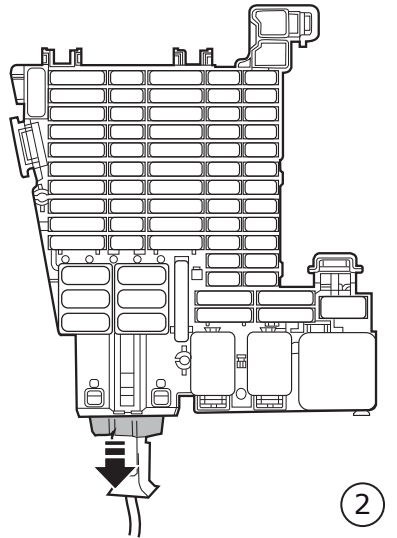
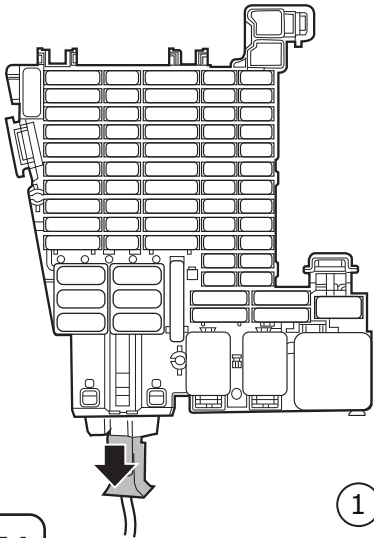


* Choose free pos. B+30

53

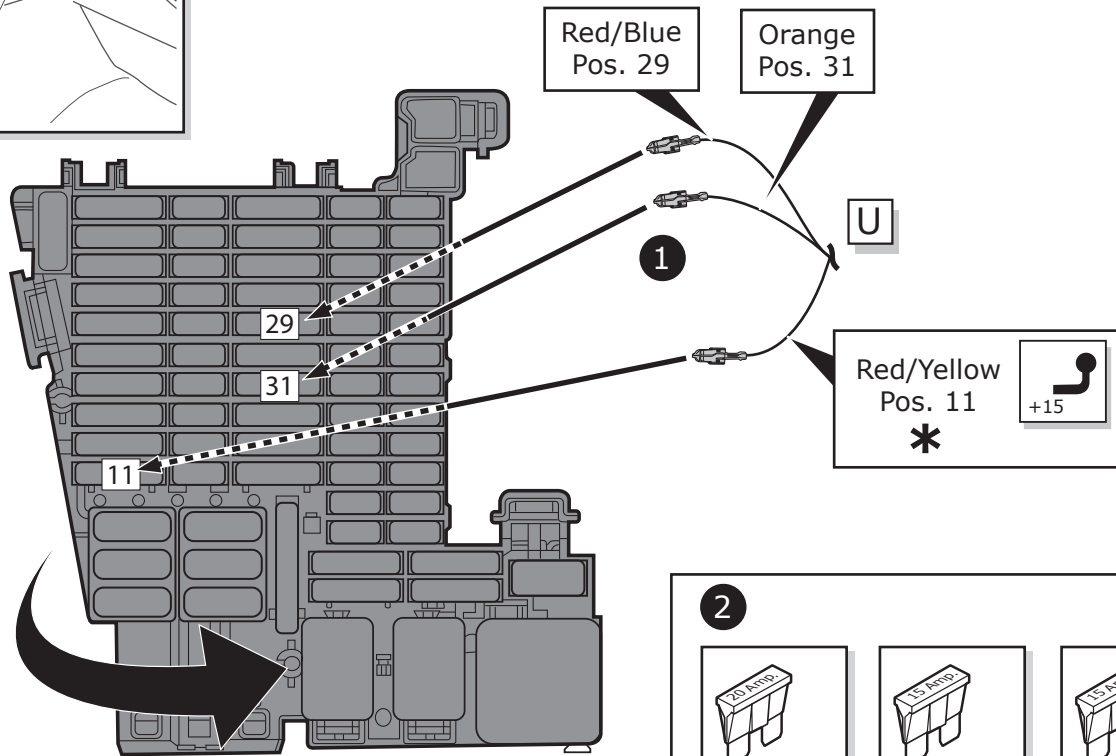
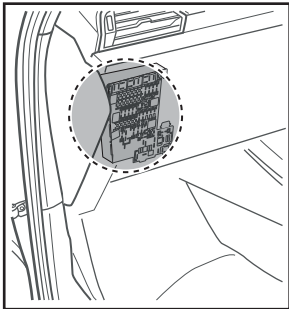
Vehicles **without** trailer preparation

Fuse box option B



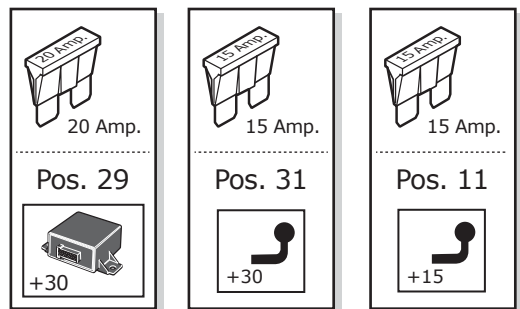
54

Vehicles **without** trailer preparation

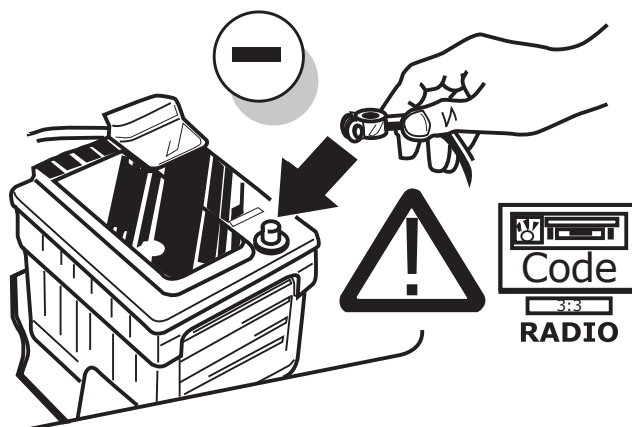


* If pos. 11 is taken, choose free pos. B+30

2



55



56

Duplex-Mode 1 - With Coding (read/write)



Diagnostic services and methods (local offline):

Please note:

Always use the latest diagnostic version!
 The vehicle to be coded must be supported by the diagnostic service provider and already be implemented in the diagnostics version!
 Please contact your diagnostic service provider in case of any question.

ATTENTION!

Model year 2021 vehicles are equipped with a so-called vehicle diagnosis protection (SFD). Make sure that access to locked on-board control units is granted by the diagnostic system.
 Possible diagnostic service providers:

- ODIS (page 25)
- JIFELINE

57



CODING WITH ODIS

Please note:

The procedure described below for encoding and enabling the trailer mode only serves for a general orientation and can vary greatly depending on the model (motorisation / equipment). If necessary less or further control units will have to be adapted.

After connecting to ODIS, the "69 trailer function" controller has to be set to encoded in the target installation list.

The following may be necessary in the further course of work:

EZE_09 (electronic central electric controller):

Diagnosis
 (possible login code: 31347)
 Networking plan
 Controller self-diagnosis
 Encode
 Trailer connection device >installed
 or: hitch_ecu >installed

Alternative encoding EZE_09 as follows (MY 2017 >>):

Self diagnose control unit
 Access authorization >31347
 Adjustment
 Integration
 Trailer control unit > installed

ZKS_46 (Central module convenience system)

trailer monitoring >put on active
 trailer control unit >installed

SWA_3C (Lane Change Assist)

ECU for draw bar >with ECU for draw bar

SW2_CF (Lane Change Assist2)

ECU for draw bar >with ECU for draw bar

SCH_17 (Dash panel insert)

Trailer >yes

RFK_6C (reverse camera system)

equipment_ahk >installed

STF_74 (chassis control system)

Trailer >installed

EPH_76 (PDC controller)

Trailer >trailer device can be removed manually

DIS_13 (controller distance control

(possible login code: 20103)
 Control module for towing sens >installed

Alternative encoding DIS_13 as follows:

Self diagnose control unit
 Access authorization >20103
 Encoding
 Binary encoding
Byte 3
 Binary >xxxx1xxx
 or Hex >+8

03 Brake electronics

Access authorisation > 61378
 Adjustments
 Trailer stability >Active

FFF_A5 (front sensor system controller)

AAG >coded

HDE_6D (boot lid electronics controller)

Trailer >installed

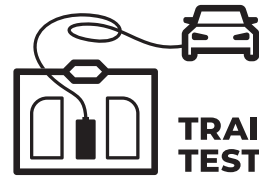
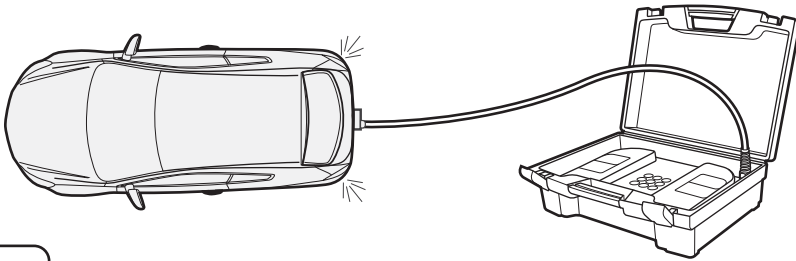
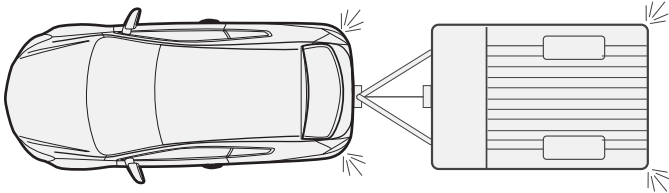
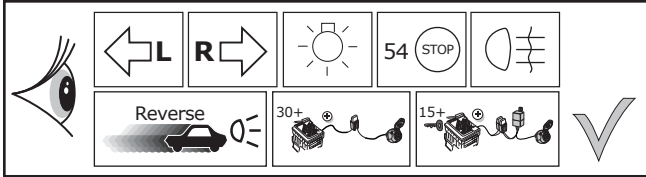
Encoding AST_7E (Driver display unit)

Encoding
 Trailer → on

Important note on encoding and activating in trailer mode

The aforementioned settings are carried out in the vehicle's electrical system and saved locally. During general updates for the vehicle software (for example, within the scope of service or repair work), the settings may be overwritten and deleted under certain circumstances. In this case, the trailer mode activation has to be updated again locally after the update. Diagnostic information relating to the trailer mode that may appear during variance comparisons with the data saved in the manufacturer's works, may form the basis of the local activation.

Functional test

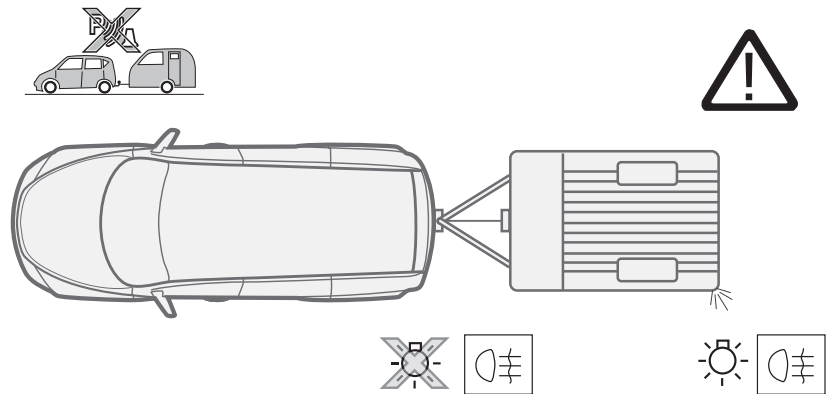
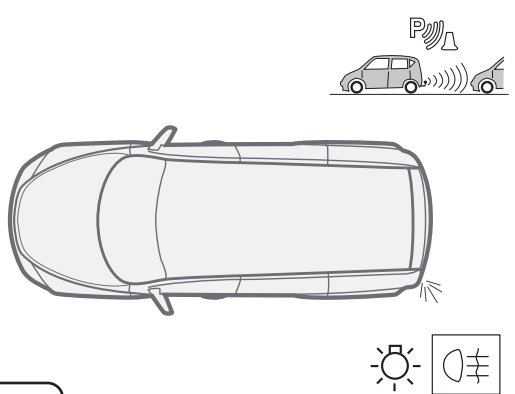
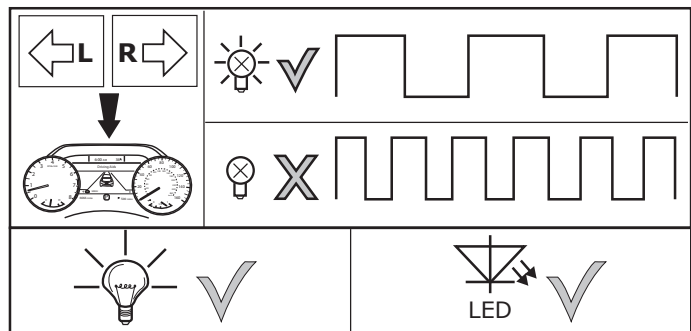
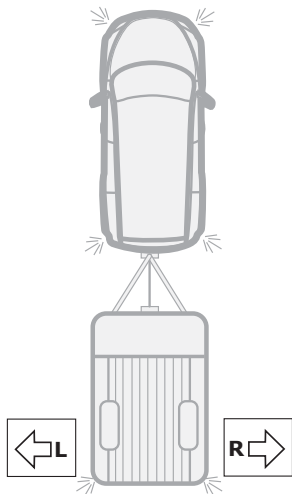


TRAILER TEST DEVICE
ECS part no.
TD001ZZ

59

Duplex-Mode 1 - With Coding (read/write)

INFO



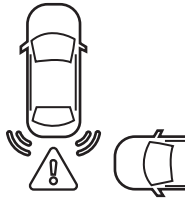
60



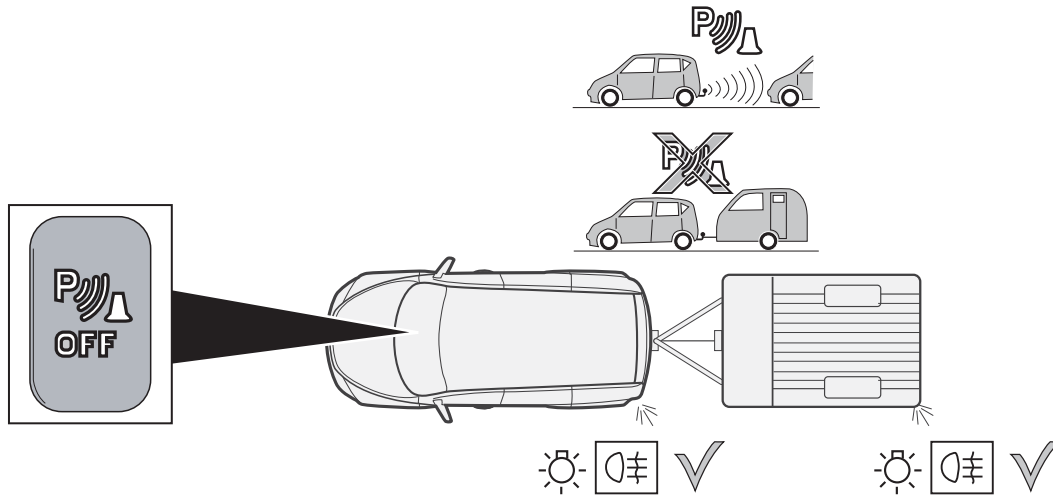
Rear fog light cut-off is not supported!



PDC to be deactivated manually!

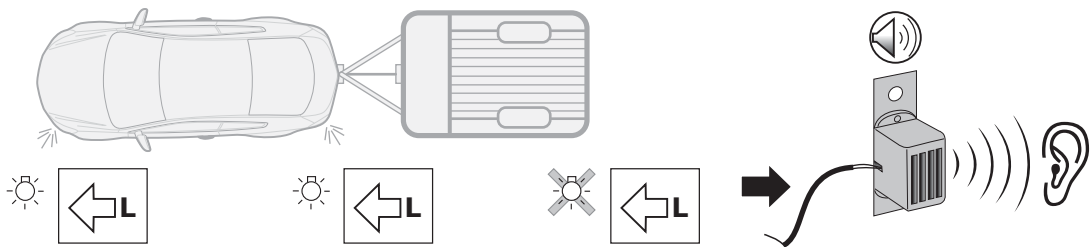
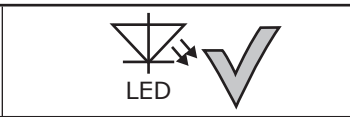
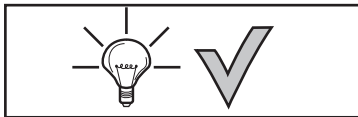


Rear Collision Avoidance Systems to be deactivated manually!



61

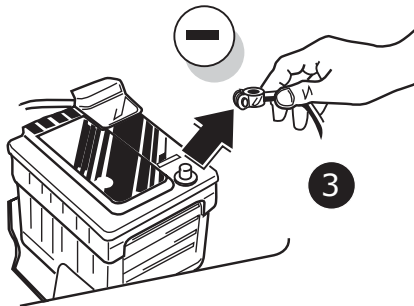
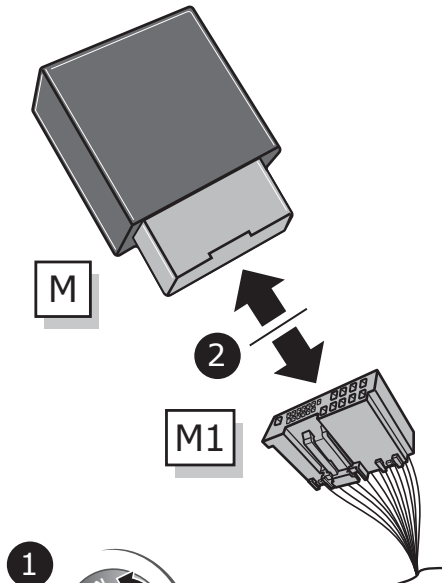
INFO



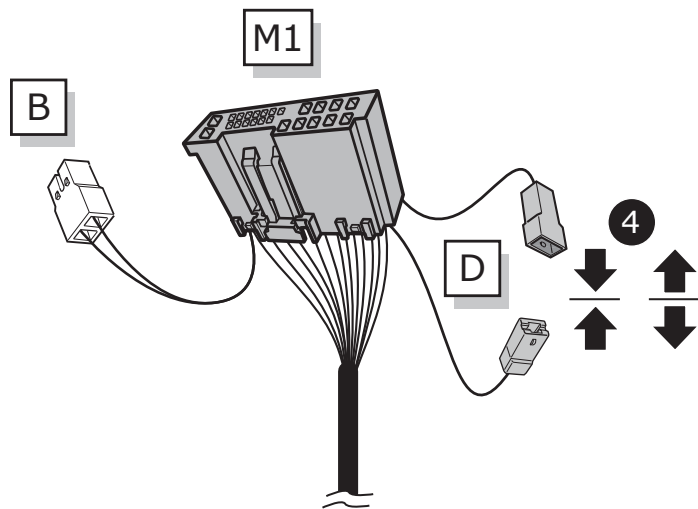
62

How to change the Duplex-mode if required:

INFO



1. Turn off ignition
 2. Disconnect trailer module M from harness M1
 3. Disconnect battery
 4. Set up requested Duplex mode:
 - Disconnect D and attach buzzer (B) for read-only mode
 - Connect D and remove buzzer (B) for read/write mode
- Connect trailer module M to harness M1
 - Connect battery
 - Turn on the ignition and run a full test
 - Coding may need removing or adding depending on Duplex mode selected



63

The following light functions for the trailer are **not supported** by all towing vehicles **with DRL circuit**:

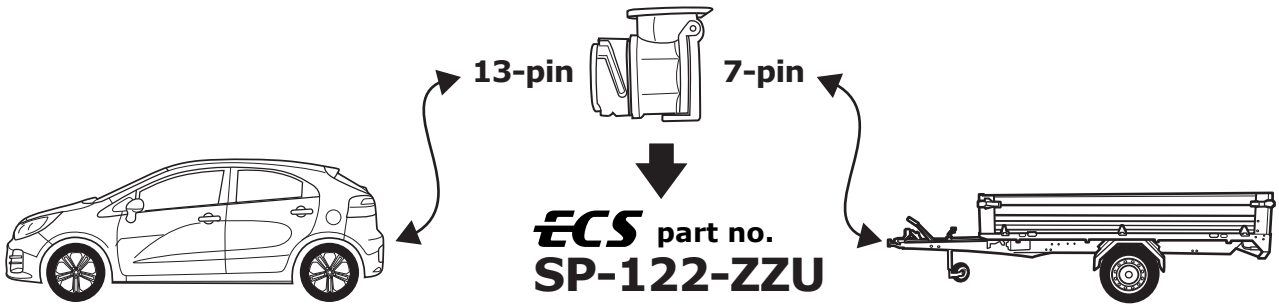
- Rear lights
- Side lights
- Numberplate lights

The **taillights or dimmed headlights** **must be switched on** to activate this function!

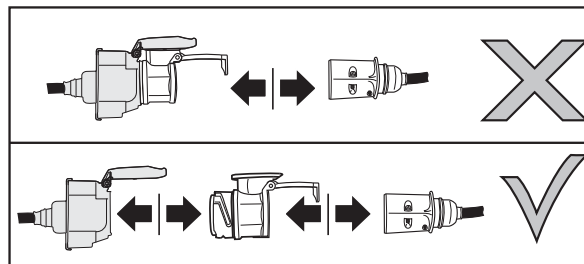
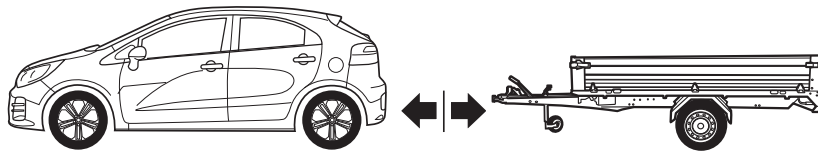
64

Optional

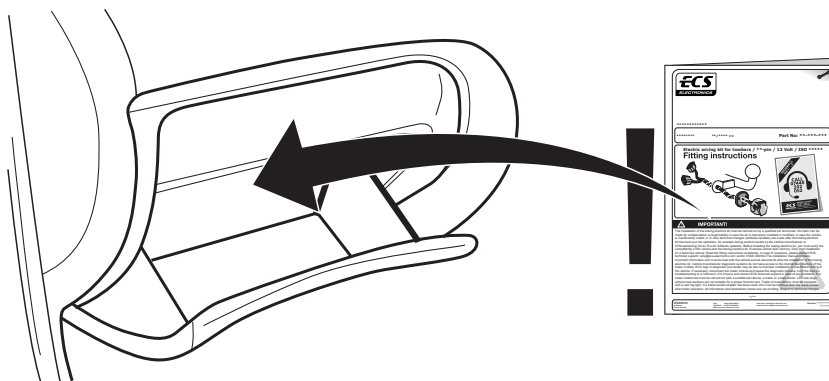
Adapter socket



65

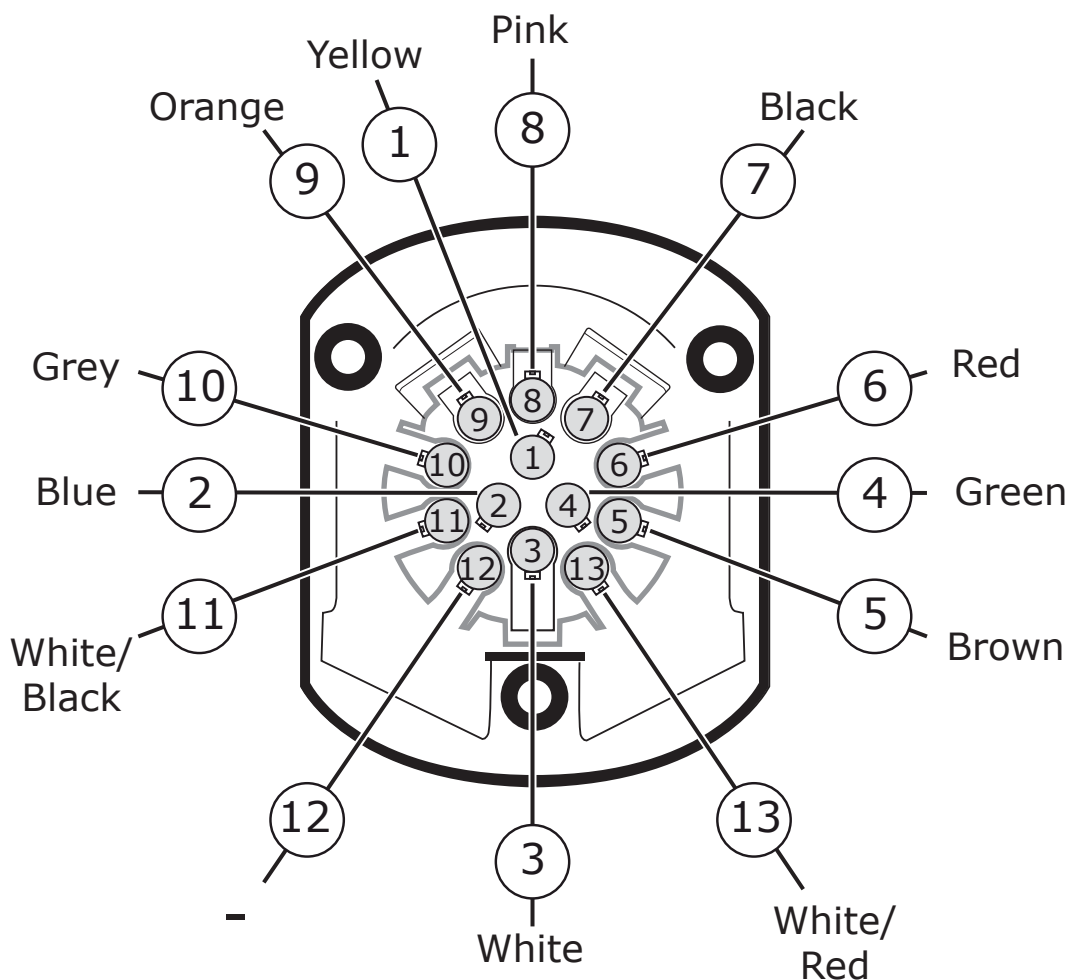
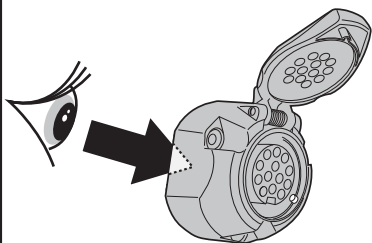


66



67

SOCKET CONNECTION



SOCKET CONNECTION

DIN/ISO 11446													
	1/L	2	3/31	4/R	5/58-R	6/54	7/58-L	8	9	10	11	12	13
Pmax	21W	42W		21W	52W	3x21W	52W	42W	180W/15Amp	180W/15Amp			
Colour	Yellow	Blue	White	Green	Brown	Red	Black	Pink	Orange	Grey	White/Black	-	White/Red